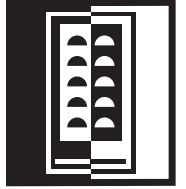


WINE STORAGE



INSTALLATION INSTRUCTIONS





CONTENTS

Models 424 and 424FS Installation	3
Models 427 and 427R Installation	12
Model 430 Installation	24
Installation Checklist	34
Service Information	35

Specifications are subject to change without notice. Check our website, subzero.com, for the most up-to-date specifications.

SUB-ZERO WINE STORAGE

The importance of the installation of the Sub-Zero Wine Storage unit cannot be overemphasized. Installation should be done by a qualified installer.

Before you begin the installation process, it is recommended that you read this entire Installation Instructions book. There are key details that you should take special care to observe during the installation. By reading these instructions carefully, you will make the installation process easier, problem-free and, most importantly, safe.

Any questions or problems about the installation should be directed to your Sub-Zero dealer or the Sub-Zero Customer Service Department at 800-222-7820 or e-mail customerservice@subzero.com. You can also visit our website at subzero.com.

As you follow these instructions, you will notice WARNING and CAUTION symbols. This blocked information is important for the safe and efficient installation of Sub-Zero equipment. There are two types of potential hazards that may occur during installation.

⚠ CAUTION

signals a situation where minor injury or product damage may occur if you do not follow instructions.

⚠ WARNING

states a hazard that may cause serious injury or death if precautions are not followed.

Another footnote we would like to identify is IMPORTANT NOTE: This highlights information that is especially relevant to a problem-free installation.



MODELS 424 AND 424FS

SITE PREPARATION

The Sub-Zero Model 424FS wine storage unit is designed to be attractive in a stand alone setting. It can also be slid into surrounding cabinetry with clearance dimensions slightly different than the standard built-in Model 424.

Make sure that the finished rough opening where the Wine Storage unit is to be installed is properly prepared. Refer to the Installation Specifications illustration for rough opening dimensions, door swing clearance and electrical placement for Models 424 and 424FS.

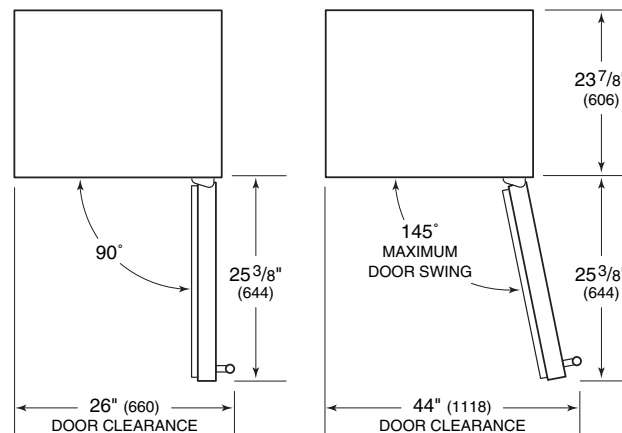
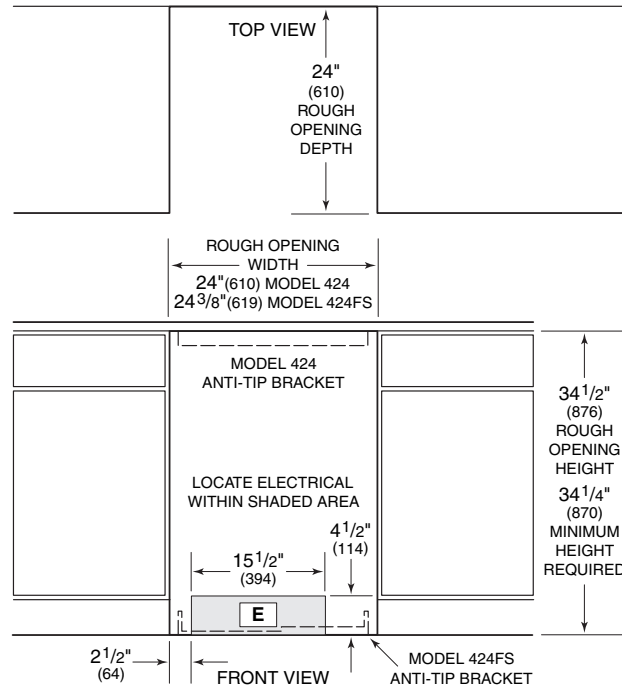
IMPORTANT NOTE: To operate properly, the door must open a minimum of 90°. Use a minimum 2" (51) filler in corner installations to assure a 90° door opening. Allow enough clearance in front of the unit for full door swing.

IMPORTANT NOTE: Make sure the floor under the unit is level with the surrounding finished floor.

⚠ CAUTION

Do not load wine into the Wine Storage unit until the installation is complete.

INSTALLATION SPECIFICATIONS



NOTE: Door swing clearances are based on stainless steel door and handle dimensions.

Dimensions in parentheses are in millimeters unless otherwise specified.



MODELS 424 | 424FS

ELECTRICAL REQUIREMENTS

A 115 V AC, 60 Hz, 15 amp circuit breaker and electrical supply are required. A separate circuit, servicing only this appliance, is required.

The power supply cord has a 3-prong grounding plug, which must be plugged into a mating 3-prong grounding-type wall receptacle. Follow the National Electrical Code and local codes and ordinances when installing the receptacle. For location of the electrical supply, refer to the Installation Specifications illustration on page 3.

IMPORTANT NOTE: For Models 424 and 424FS, the electrical outlet must be placed so the grounding prong is to the right of the thinner blades. The outlet must be flush with the back wall.

IMPORTANT NOTE: A ground fault circuit interrupter (GFCI) is not recommended and may cause interruption of operation.

⚠ WARNING

Do not use an extension cord or two-prong adapter. Electrical ground is required on this appliance.

HOME ALARM SYSTEM

If a home alarm system is to be used, refer to Home Alarm Connections on page 8. In addition to operating power, the installer may also be required to supply a home automation system lead to the unit. This is for a low-voltage, low-current signal similar to door and window sensor signals. Common, normally open and normally closed contact configurations are provided.

Three 1/4" (6) female spade connectors are located in the compressor compartment and are accessible behind the kickplate on Models 424 and 424FS. A minimum of 36" (914) of lead wire should be provided for each contact, exiting the back wall near the electrical outlet.

UNPACKING AND MOVING

Uncrate the unit, remove its wood base and discard the shipping bolts that hold the wood base to the bottom of the unit. Remove all packing materials and tape.

IMPORTANT NOTE: Do not discard the kickplate, anti-tip bracket and hardware. These items will be needed for the installation.

All roller-assembly wine shelves should be removed to reduce weight and prevent them from rolling. To remove, pull the shelf out to its full extension, gently and evenly lift up on both sides of the front of the shelf and remove. Reverse the procedure to reinstall the shelf.

Use an appliance dolly to move the Wine Storage unit. Position the dolly at the back of the unit to prevent damage to finished surfaces.

⚠ CAUTION

Before moving the Wine Storage unit in to position, protect any finished flooring with appropriate materials and secure the door closed.

Dimensions in parentheses are in millimeters unless otherwise specified.



ANTI-TIP BRACKET INSTALLATION

⚠ WARNING
To prevent the unit from tipping forward and provide a stable installation, the unit must be secured in place with the anti-tip bracket.

An anti-tip bracket and hardware is provided with the Wine Storage unit. The anti-tip bracket must be installed on a solid base to prevent tipover in case several loaded wine shelves are extended at the same time.

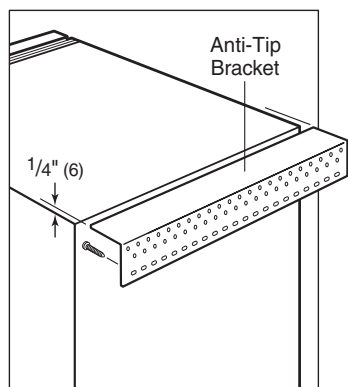
MODEL 424FS

If you are installing the Model 424FS in a space deeper than 24⁵/₈" (625), the anti-tip bracket must be installed no more than 24⁵/₈" (625) deep, so it engages the unit properly. It is important that this measurement be made from the front surface of the door, to the back of the anti-tip bracket. Refer to illustration 3 below.

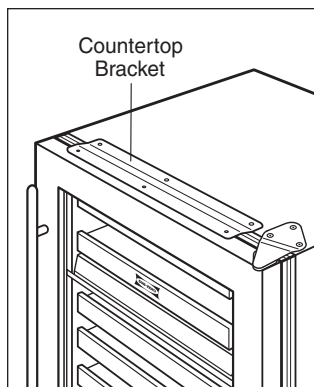
MODEL 424

The anti-tip bracket should be attached to the wall behind the unit with the bracket flange located immediately above the top of the unit. Refer to illustration 1 below.

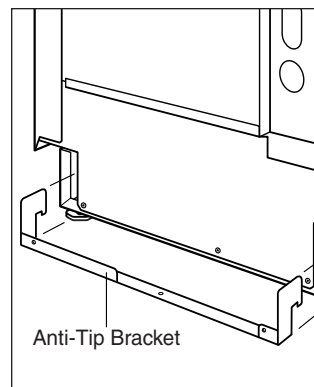
A smaller metal 'countertop' bracket is also provided with the Model 424, for installations that need to be modified to provide a secure surface for attaching the bracket. This bracket will secure the front of the unit to the underside of the countertop, above the unit. Refer to illustration 2.



Illus. 1



Illus. 2



Illus. 3



MODELS
424 | 424FS

ANTI-TIP BRACKET INSTALLATION

WOOD FLOOR APPLICATIONS

Use the four #12 x 2 1/2" wood screws and the four 1/4" flat washers provided. Drill pilot holes 3/16" (5) diameter maximum, and be sure that the screws penetrate through the flooring material and into the wall plate a minimum of 3/4" (19). Be sure that the screws hold tight. Refer to illustration 4 below.

CONCRETE FLOOR APPLICATIONS

Use the two 3/8" x 3 3/4" concrete wedge anchors, two #12 x 2 1/2" wood screws and two 1/4" flat washers provided. Be sure that the anchors and screws hold tight. Refer to illustration 5 below.

IMPORTANT NOTE: In some installations the subflooring or finished floor may require angling the wood screws used to fasten the anti-tip bracket to the back wall. Refer to illustrations 4 and 5.

⚠ WARNING

Make sure that there are no electrical wires in the area which the screws could penetrate.

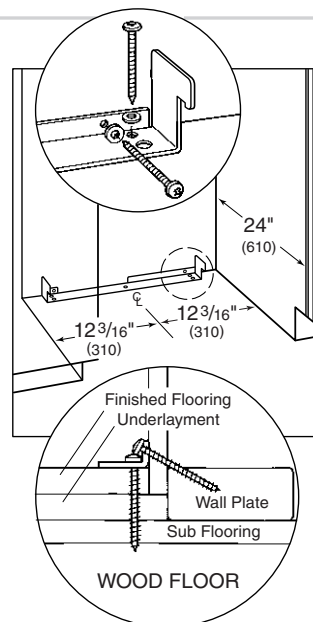
Installation for Concrete Wedge Anchors:

- 1) Drill a 3/8" (10) diameter hole any depth exceeding the minimum embedment. Clean the hole or continue drilling additional depth to accommodate drill fines. Use a carbide drill bit manufactured within ANSI B94.12-77.
- 2) Assemble the washer and nut flush with the end of anchor to protect threads. Drive the anchor through the material to be fastened until the washer is flush with the surface material.
- 3) Expand the anchor by tightening the nut 3-5 turns past hand-tight position or to 25 foot-pounds of torque.

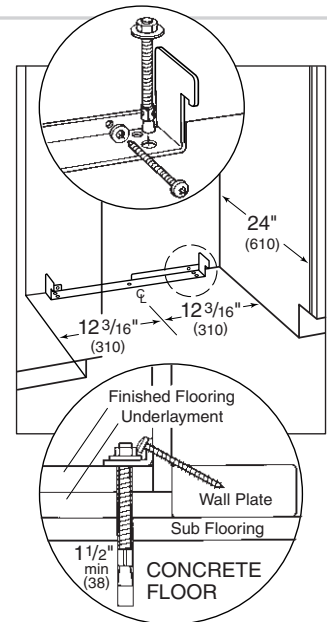
⚠ CAUTION

Always wear safety glasses and use other necessary protective devices or apparel when installing or working with anchors.

Anchors are not recommended for use in lightweight masonry material such as block or brick, or for use in new concrete which has not had sufficient time to cure. The use of core drills is not recommended to drill holes for the anchors.



Illus. 4



Illus. 5



LOCK INSTALLATION

IMPORTANT NOTE: If you are adding an accessory lock kit to your Wine Storage unit, it should be installed before you position the unit. Installation instructions are included with the lock kit.

For Model 424, the lock is attached to the bottom of the metal door frame. The decorative door panel is not involved in the installation or operation of the lock. The catch portion of the lock is attached to the bottom of the appliance cabinet in pre-punched holes. When installing the lock kit, it may be helpful to tip the unit on its back for easier access.

POSITION THE UNIT

IMPORTANT NOTE: If for any reason the Wine Storage unit has been laid on its back or side, you must allow the unit to stand upright for a minimum of 24 hours before connecting power.

Plug the power supply cord into the 15 amp grounded electrical outlet. With power applied to the appliance, check for lighting and cooling before going any further. Once you are satisfied that the unit is operating properly, shut off power to the electrical outlet at the circuit breaker and proceed.

⚠ WARNING

Shut off the power to the electrical outlet.

If a home alarm system is to be used with the Wine Storage unit, the lead wires should be threaded into the compressor compartment before you position the unit. See Home Alarm Connections on page 8, for the location of these lead wires. After the unit is in position, the alarm wiring can be completed from the front.

Pre-level the Wine Storage unit before sliding it into position. Leveling cannot be completed with the unit pushed back in the installation opening.

For Model 424FS, adjust the leveling legs so the top of the unit is no more than 34⁵/₈" (879) above the floor. This is to allow the unit to engage the anti-tip bracket properly. Center the Model 424FS in front of the anti-tip bracket.

Slide the unit into position, making sure the anti-tip bracket is engaged properly.

IMPORTANT NOTE: When the Wine Storage unit is installed, the anti-tip bracket will be positioned just below the engaging bracket on the unit. It is not necessary to raise the unit up so that it locks into the anti-tip bracket, but the unit must be in alignment with the anti-tip bracket.

The Wine Storage unit provides the best access to its contents, when the front surface of the door panel extends out from surrounding cabinets approximately 1/4" (6). For Model 424FS, if there are no surrounding cabinet surfaces to gauge depth, slide the unit back until it engages the anti-tip bracket.

IMPORTANT NOTE: The floor under the Wine Storage unit must be at the same level as the surrounding finished floor to allow for removal of the unit for servicing.



MODELS
424 | 424FS

LEVEL THE UNIT

Using an adjustable wrench or pliers, turn each of the four leveling legs clockwise to raise the unit and counterclockwise to lower the unit. For the location of the leveling legs, see illustration 6 below.

For Model 424, the countertop bracket should be used to make a solid installation. Refer to illustration 2 on page 5. If this is not possible, wedge shims along the sides and top.

⚠ WARNING

To reduce the possibility of the unit tipping forward, the front leveling legs must be in contact with the floor.

HOME ALARM CONNECTIONS

Before the kickplate is installed, all necessary wiring connections in the compressor compartment should be completed.

If a home alarm system is to be installed on the Wine Storage unit, the connections should be made using the logic supplied with the alarm specifications. See illustration 7 below for the appliance lead locations, and refer to the following for color codes:

- Normally open contacts – white with red stripe wire
- Normally closed contacts – white with blue stripe wire
- Common – gray with white stripe wire

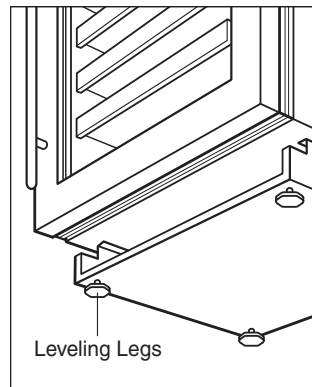
Use the 1/4" (6) spade terminals or wire nuts provided to make the proper wiring connections.

IMPORTANT NOTE: If you are not responsible for alarm system connection, this information should be supplied to the home security system contractor.

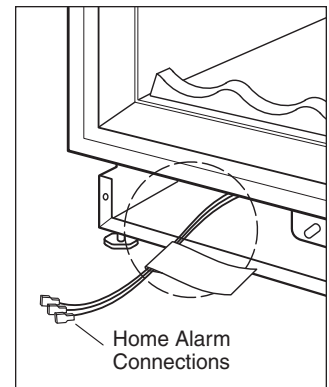
⚠ CAUTION

The alarm circuit in the unit is intended as a low-voltage, low-current device only. It should not be used to switch line power.

Any unused terminals should be completely insulated and all wires should be secured away from conductive or moving components.



Illus. 6



Illus. 7



KICKPLATE INSTALLATION

Once the unit is leveled and wiring connections made, the kickplate can be installed. Use the two #10 x 1/2" stainless steel screws that are provided with the kickplate. Refer to illustration 8 below.

IMPORTANT NOTE: The kickplate must be removed for servicing. The floor cannot interfere with removal. The louvered section of the kickplate must not be covered so as to prevent air circulation.

Turn power back on to the electrical outlet.

DOOR PANELS – MODEL 424

Model 424 is offered in two design applications; stainless steel (S) and overlay (O). Each of these designs is available as a glass door (G) or solid door (S) model.

The stainless steel Model 424/S is available in three finishes—classic, platinum and carbon—and is shipped from the factory with the decorative stainless steel door panel and handle in place.

The overlay Model 424/O is designed to accept a decorative door panel to match surrounding cabinetry. The door panel and the handle will be provided by the customer.

The solid door model—with no glass window—requires a different door panel than the glass door design.

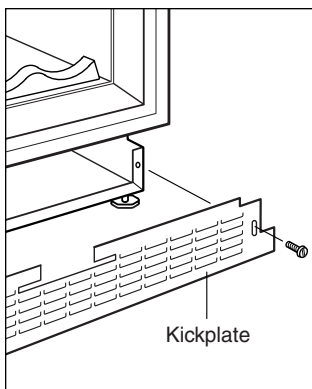
Before beginning installation, check for the correct components for the fit and finish desired. All overlay doors require a decorative panel 23³/₄" (603) by 30¹/₁₆" (764) and a minimum 5/8" (16) thick.

IMPORTANT NOTE: For installations at or above 5,000' (1524 m) in altitude, a special high altitude glass door unit (HA) must be ordered.

If you have questions, contact your Sub-Zero dealer or cabinet supplier. Additional panel information can be found in the Sub-Zero Design Guide.

PANEL
DESIGN

Additional panel design information can be found in the Sub-Zero Design Guide. Check our website at subzero.com.



Illus. 8

Dimensions in parentheses are in millimeters unless otherwise specified.



MODELS
424 | 424FS

OVERLAY DOOR PANELS

PANEL
DESIGN

Additional panel design information can be found in the Sub-Zero Design Guide. Check our website at subzero.com.

OVERLAY GLASS DOOR – MODEL 424

Inspect the door panel for the minimum 5/8" (16) thickness, the finished inside edge and the 10 lbs (5 kg) weight limit. See the Wine Storage section of the Sub-Zero Design Guide for additional panel information.

Decide if the handle will be attached through the glass door frame or just through the decorative door panel. If it is just through the door panel, the handle must be attached first.

Decorative panels are attached to the Model 424 door using #8 x 5/8" square drive screws passing through the door frame from the rear, behind the gasket into the panel. The door panel is marked for screw locations by the use of 'tenon centers', which are temporarily inserted into the 1/4" (6) diameter holes in the front of the glass door frame. Refer to illustration 9 on page 11.

With the Wine Storage unit secured in position and the door closed, the panel is held in the desired position on the door and rapped by hand from the front, putting center marks on the rear surface of the panel. If the door panel is made of such a material that pre-drilling is needed, all of the mounting holes should be marked. If not, only enough holes to hold the panel in place temporarily, are necessary.

The door panel is then lowered from the door frame, tenon centers removed, the door opened and the screws driven into the panel through the black tape on the door frame, using the center marks to locate the screws.

The screw holes inside the door, are hidden under a cover flap on the door gasket. It is necessary to lift the flap to insert the screws. Use as many screws as necessary to hold the door panel in place properly.

IMPORTANT NOTE: After the first three or four mounting screws are in place, but not completely tightened, close the door and check your panel fit. This is the time to make small adjustments. Once you are satisfied with the appearance, open the door and apply the remainder of the screws. Check all screws for tightness.

The metal frame on the glass door has numerous mounting holes on each side of the door. This is to accommodate the Sub-Zero accessory handles and provide for easy attachment of the handle through the door frame.

If you choose not to use the pre-drilled handle mounting holes, it will be necessary to fasten the handle from the rear of the door panel only, or drill one or more additional holes through the metal frame of the glass door.

Illustration 10 on page 11, shows how this hole passes through the door frame. The hole center is on the small locator groove in the front of the frame. A 1/4" (6) diameter hole is made in the front wall of the extrusion and a 13/32" (11) diameter hole through the rest of the frame.

⚠ CAUTION

The wine storage unit door is made with a sealed double wall tempered glass core. The drill must not contact this core when drilling. Be sure the hole is centered on the small groove in the front of the door frame and the drill passes squarely through the frame. If you are inexperienced with drilling, fasten the handle from the rear of the door panel only.

Dimensions in parentheses are in millimeters unless otherwise specified.



IMPORTANT NOTE: Install screws in all the mounting holes in the door frame. The nature of the door panel with a narrow outer rim and no connecting center member requires the support provided by the glass door.

After the door panel installation is complete, apply the cover tape patches provided, over the holes on the inside surface of the door.

⚠ CAUTION

The cover plugs or patches are part of the insulation system on the door of the Wine Storage unit. Be sure to cover all the holes in the door that were used.

OVERLAY SOLID DOOR – MODEL 424

IMPORTANT NOTE: The solid door panel for the Model 424 must be a minimum of 5/8" (16) thick and cannot exceed 20 lbs (9 kg).

Installation of the solid door panel is the same as the door panel for a glass door model.

⚠ CAUTION

A solid panel must not be installed on a glass door unit, as this may cause moisture to form behind the panel.

HINGE ADJUSTMENT

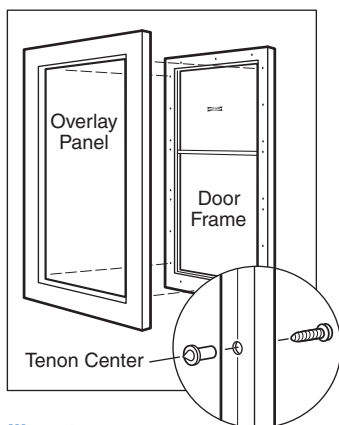
IMPORTANT NOTE: The Wine Storage unit must be installed and leveled before door hinge adjustments can be made.

The top and bottom cabinet hinges on Models 424 and 424FS are held in place with three permanent adjustment screws and two shipping screws. Refer to illustrations 11 and 12 below. The shipping screws must be removed and discarded to adjust the door alignment and fit. If no adjustments are necessary, it is recommended that all five screws remain in place.

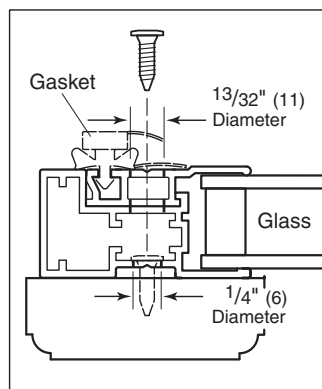
On the Model 424FS, only the bottom door hinge can be adjusted. Remove and discard the two shipping screws and loosen the three hinge screws to adjust the door. Refer to illustration 12.

COMPLETING THE INSTALLATION

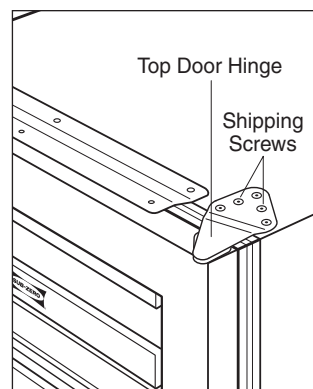
IMPORTANT NOTE: When you have completed the installation of the Model 424 or 424FS Wine Storage unit, refer to pages 34–35 for the Installation Checklist and Service Information.



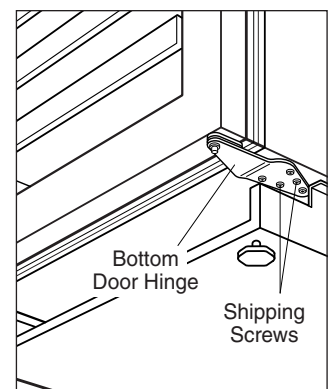
Illus. 9



Illus. 10



Illus. 11



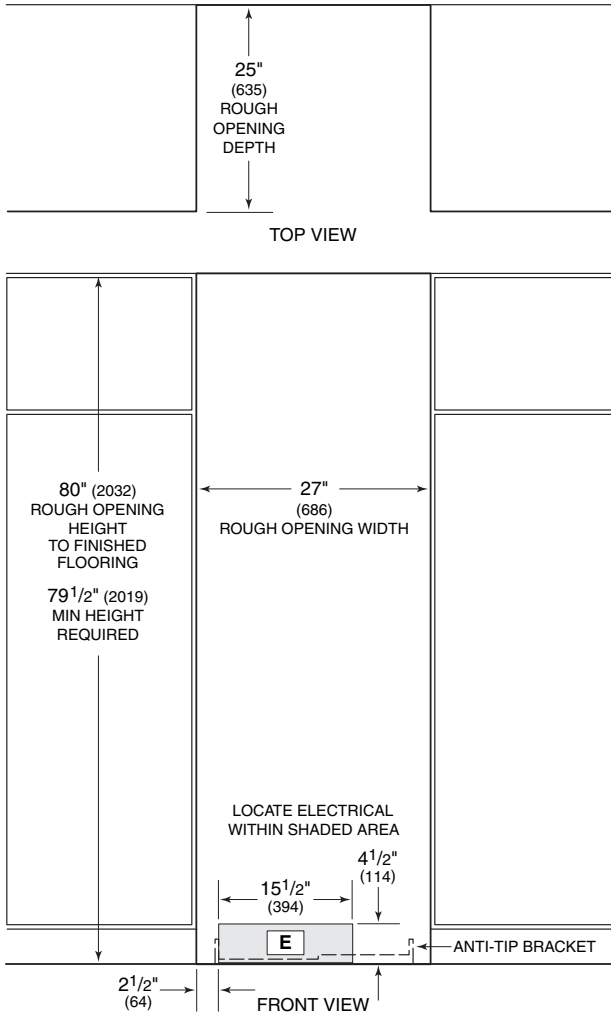
Illus. 12



MODELS
427 | 427R

MODELS 427 AND 427R

INSTALLATION SPECIFICATIONS



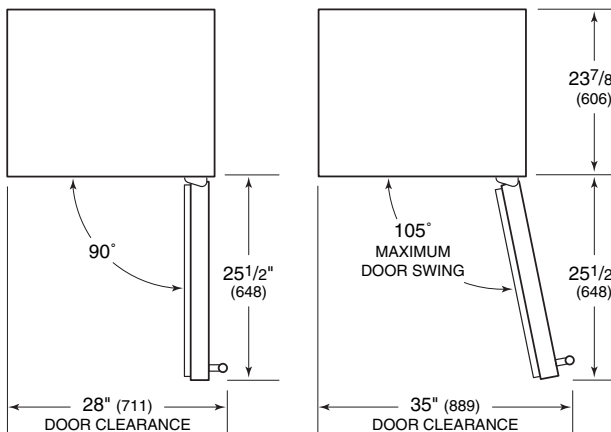
SITE PREPARATION

Make sure that the finished rough opening where the Wine Storage unit is to be installed is properly prepared. Refer to the Installation Specifications illustration for rough opening dimensions, door swing clearance and electrical placement for Models 427 and 427R.

IMPORTANT NOTE: To operate properly, the door must open a minimum of 90°. Use a minimum 2" (51) filler in corner installations to assure a 90° door opening. Allow enough clearance in front of the unit for full door swing.

IMPORTANT NOTE: Make sure the floor under the unit is level with the surrounding finished floor.

⚠ CAUTION
Do not load wine into the Wine Storage unit until the installation is complete.



NOTE: Door swing clearances are based on stainless steel door and handle dimensions.



ELECTRICAL REQUIREMENTS

A 115 V AC, 60 Hz, 15 amp circuit breaker and electrical supply are required. A separate circuit, servicing only this appliance, is required.

The power supply cord has a 3-prong grounding plug, which must be plugged into a mating 3-prong grounding-type wall receptacle. Follow the National Electrical Code and local codes and ordinances when installing the receptacle. For location of the electrical supply, refer to the Installation Specifications illustration on page 12.

IMPORTANT NOTE: For Models 427 and 427R, the electrical outlet must be placed so the grounding prong is to the right of the thinner blades. The outlet must be flush with the back wall.

IMPORTANT NOTE: A ground fault circuit interrupter (GFCI) is not recommended and may cause interruption of operation.

⚠ WARNING

Do not use an extension cord or two-prong adapter. Electrical ground is required on this appliance.

HOME ALARM SYSTEM

If a home alarm system is to be used, refer to Other Wiring Connections on page 18. In addition to operating power, the installer may also be required to supply a home automation system lead to the unit. This is for a low-voltage, low-current signal similar to door and window sensor signals. Common, normally open and normally closed contact configurations are provided.

Three 1/4" (6) female spade connectors are located in the compressor compartment and are accessible behind the kickplate/grille on Models 427 and 427R. A minimum of 36" (914) of lead wire should be provided for each contact, exiting the back wall near the electrical outlet.

Dimensions in parentheses are in millimeters unless otherwise specified.

UNPACKING AND MOVING

Uncrate the unit, remove its wood base and discard the shipping bolts that hold the wood base to the bottom of the unit. Remove all packing materials and tape.

IMPORTANT NOTE: Do not discard the kickplate/grille, anti-tip bracket and hardware. These items will be needed for the installation.

All roller-assembly wine shelves should be removed to reduce weight and prevent them from rolling. To remove, pull the shelf out to its full extension, gently and evenly lift up on both sides of the front of the shelf and remove. Reverse the procedure to reinstall the shelf.

Retract the front leveling legs to allow you to move the unit more easily during installation. You will extend the leveling legs when the unit is in its final position to reduce the possibility of the unit tipping forward.

Use an appliance dolly to move the Wine Storage unit. Position the dolly at the side of the unit to prevent damage to finished surfaces.

⚠ CAUTION

Before moving the Wine Storage unit into position, protect any finished flooring with appropriate materials.



ANTI-TIP BRACKET INSTALLATION

⚠ WARNING

To prevent the unit from tipping forward and provide a stable installation, install the anti-tip bracket and extend the front leveling legs to the floor.

An anti-tip bracket and hardware is provided with the Wine Storage unit. The anti-tip bracket must be installed on a solid base to prevent tipover in case several loaded wine shelves are extended at the same time.

If you are installing the Model 427 or 427R in a space deeper than 24" (610), the anti-tip bracket must be installed no more than 24" (610) deep, so it engages the unit properly. It is important that this measurement be made from the front of the unit without panels, to the back of the anti-tip bracket.

WOOD FLOOR APPLICATIONS

Use the six #12 x 2 1/2" wood screws and the six 1/4" flat washers provided. Drill pilot holes 3/16" (5) diameter maximum, and be sure that the screws penetrate through the flooring material and into the wall plate a minimum of 3/4" (19). Be sure that the screws hold tight. Refer to illustration 1 below.

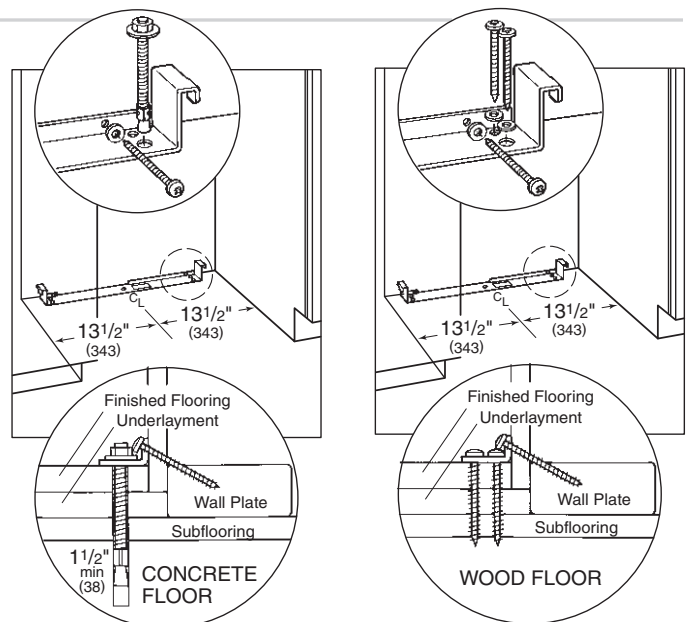
CONCRETE FLOOR APPLICATIONS

Use the two 3/8" x 3 3/4" concrete wedge anchors, two #12 x 2 1/2" wood screws and two 1/4" flat washers provided. Be sure that the anchors and screws hold tight. Refer to illustration 2 below.

IMPORTANT NOTE: In some installations the subflooring or finished floor may require angling the wood screws used to fasten the anti-tip bracket to the back wall. Refer to illustrations 1 and 2 below.

⚠ WARNING

Make sure that there are no electrical wires in the area which the screws could penetrate.



Illus. 1

Illus. 2



Installation for Concrete Wedge Anchors:

- 1) Drill a 3/8" (10) diameter hole any depth exceeding the minimum embedment. Clean the hole or continue drilling additional depth to accommodate drill fines. Use a carbide drill bit manufactured within ANSI B94.12-77.
- 2) Assemble the washer and nut flush with the end of anchor to protect threads. Drive the anchor through the material to be fastened until the washer is flush with the surface material.
- 3) Expand the anchor by tightening the nut 3–5 turns past hand-tight position or to 25 foot-pounds of torque.

⚠ CAUTION

Always wear safety glasses and use other necessary protective devices or apparel when installing or working with anchors.

Anchors are not recommended for use in lightweight masonry material such as block or brick, or for use in new concrete which has not had sufficient time to cure. The use of core drills is not recommended to drill holes for the anchors.

POSITION THE UNIT

⚠ CAUTION

Before moving the Wine Storage unit into position, secure the door closed. Remove the drawers of the Model 427R.

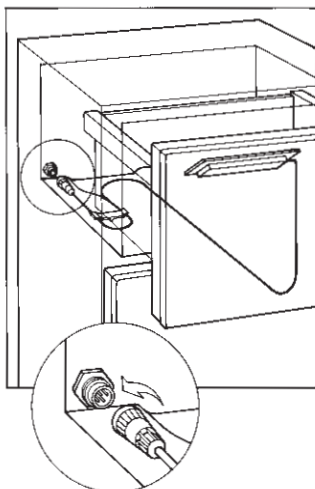
IMPORTANT NOTE: For Model 427R, the top drawer has a control cable that needs to be disconnected before removing this drawer. Refer to illustration 3 below, for placement and how to disconnect this fitting.

For Model 427R, the drawers should be placed aside until you are ready for installation of the door and drawer panels.

IMPORTANT NOTE: When two Model 427, 427R or Integrated units are installed closer than 2" (51) to one another, it is necessary to use the Sub-Zero dual installation heater kit. Contact your Sub-Zero dealer or call 800-222-7820 for the proper components and additional instructions. The heater plate from this dual installation heater kit must be attached to the left side exterior of the right hand unit before the unit is slid into position.

OPTIONAL COMPONENTS

Optional installation components are available through your Sub-Zero dealer, or call Sub-Zero at 800-222-7820. You can also visit our website at subzero.com.



Illus. 3

Dimensions in parentheses are in millimeters unless otherwise specified.



MODELS
427 | 427R

POSITION THE UNIT

IMPORTANT NOTE: If you are adding an accessory lock kit to your Model 427 or 427R, the catch should be installed at the top of appliance cabinet before you position the unit. See Lock Installation on page 23. Installation instructions are included with the lock kit.

Remove the decorative top and side moldings and the kickplate/grille of the Wine Storage unit.

IMPORTANT NOTE: If for any reason the Wine Storage unit has been laid on its back or side, you must allow the unit to stand upright for a minimum of 24 hours before connecting power.

Plug the power supply cord into the 15 amp grounded electrical outlet. With power applied to the appliance, check for lighting and cooling before going any further. Once you are satisfied that the unit is operating properly, shut off power to the electrical outlet at the circuit breaker and proceed.

⚠ WARNING

Shut off the power to the electrical outlet.

If a home alarm system is to be used with the Wine Storage unit, the lead wires should be threaded into the compressor compartment before you position the unit. See Other Wiring Connections on page 18, for the location of these lead wires. After the unit is in position, the alarm wiring can be completed from the front.

Pre-level the Wine Storage unit before rolling into position. This is to allow the unit to engage the anti-tip bracket properly.

Roll the unit into position, making sure the anti-tip bracket is engaged properly. Screw the front leveling legs out approximately $\frac{3}{16}$ " (5) to make any future adjustments easier.

IMPORTANT NOTE: When the Wine Storage unit is installed, the anti-tip bracket will be positioned just below the engaging bracket on the unit. It is not necessary to raise the unit up so that it locks into the anti-tip bracket, but the unit must be in alignment with the anti-tip bracket.

IMPORTANT NOTE: The floor under the Wine Storage unit must be at the same level as the surrounding finished floor to allow for removal of the unit for servicing.



LEVEL THE UNIT

Level the unit by turning the front leveling legs clockwise to raise the unit, or counterclockwise to lower it. To assist you in adjusting the front leveling legs up or down, use a standard screwdriver blade and place it in the front leveling leg as shown in illustration 4 below.

The rear leveling legs are adjusted from the front of the base by turning the Phillips head screw. Refer to illustration 5.

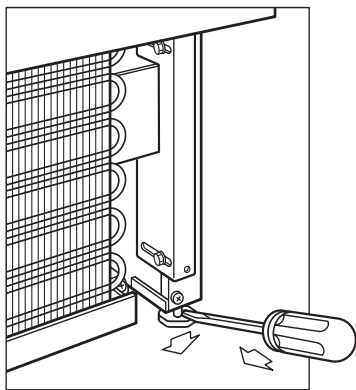
IMPORTANT NOTE: The rear leveling legs will only move 1/16" (2) for every 18 revolutions on the Phillips head screw. Do not over torque. Use the lowest torque setting on any power screwdriver. Do not turn the rear leveling legs by hand. Damage will occur if you turn these legs.

⚠ WARNING

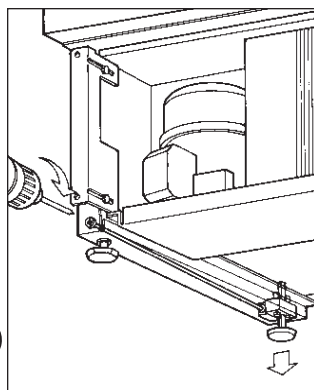
To reduce the possibility of the unit tipping forward, the front leveling legs must be in contact with the floor.

MOLDING INSTALLATION

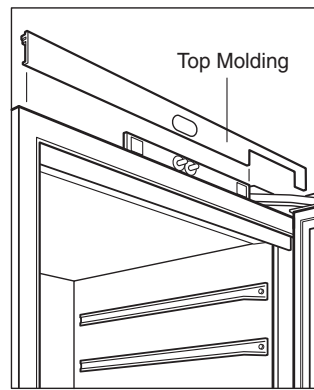
The decorative white molding strips for the side and top of Models 427 and 427R can be snapped into place. The top molding piece must be installed before the side molding can be attached. For installation of the top molding, refer to illustration 6 below. Refer to illustration 7 for side molding installation. For installations where units are side by side, see Side Panel Installation on page 23.



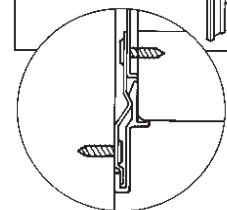
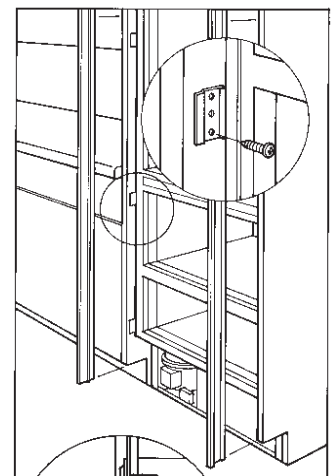
Illus. 4



Illus. 5



Illus. 6



Illus. 7

Dimensions in parentheses are in millimeters unless otherwise specified.



MODELS
427 | 427R

OTHER WIRING CONNECTIONS

OPTIONAL
COMPONENTS

Optional installation components are available through your Sub-Zero dealer, or call Sub-Zero at 800-222-7820. You can also visit our website at subzero.com.

Before the kickplate/grille is installed, all necessary wiring connections in the compressor compartment should be completed.

If the dual installation heater kit is used with Model 427 or 427R, the power supply leads should be connected according to instructions included with the kit.

If a home alarm system is to be installed on the Wine Storage unit, the connections should be made using the logic supplied with the alarm specifications. See illustration 8 below for the appliance lead locations, and refer to the following for color codes:

- Normally open contacts – white with red stripe wire
- Normally closed contacts – white with blue stripe wire
- Common – gray with white stripe wire

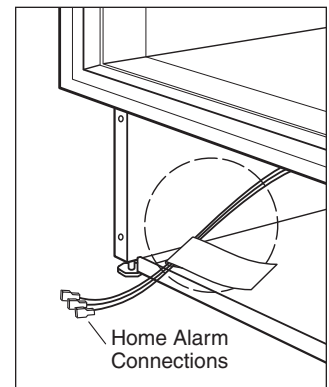
Use the 1/4" (6) spade terminals or wire nuts provided to make the proper wiring connections.

IMPORTANT NOTE: If you are not responsible for alarm system connection, this information should be supplied to the home security system contractor.

⚠ CAUTION

The alarm circuit in the unit is intended as a low-voltage, low-current device only. It should not be used to switch line power.

Any unused terminals should be completely insulated and all wires should be secured away from conductive or moving components.



Illus. 8



KICKPLATE/GRILLE INSTALLATION

Once the unit is leveled and wiring connections made, the kickplate/grille can be installed.

IMPORTANT NOTE: The kickplate/grille must be removed for servicing. The floor cannot interfere with removal. The louvered section of the kickplate/grille must not be covered so as to prevent air circulation.

For Models 427 and 427R, there is some adjustment to the mounting assembly so that the kickplate/grille can fit flush with the surrounding area. Refer to illustration 9 below.

IMPORTANT NOTE: The unit must be allowed to have ventilation through the fins of the kickplate/grille. You may cover the solid area, but do not block the fins. For Model 427R, the lower drawer panel may hang in front of the fins, but your baseboard molding must not cover them.

Turn power back on to the electrical outlet.

DOOR PANELS

Models 427 and 427R are available as a glass door (G) or solid door (S) model. Each of these Wine Storage units are set up at the job site as either the stainless steel or integrated design.

Stainless steel panels—available as sales accessories—may be configured several ways and are shipped separately. Stainless steel panels are shipped with handles in place.

The integrated design uses custom wood or other decorative panels and handles provided by the customer.

Model 427R requires solid panels on the drawers that may match the door panel, or be complementary. The Model 427R stainless steel drawer panel set and stainless steel door panel are ordered and shipped as two items.

The solid door model—with no glass window—requires a different door panel than the glass door design.

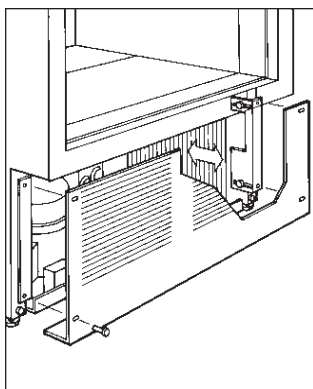
Before beginning installation, check for the correct components for the fit and finish desired. The door and drawers (Model 427R) require a decorative panel that is a minimum 5/8" (16) thick.

IMPORTANT NOTE: For installations at or above 5,000' (1524 m) in altitude, a special high altitude glass door unit (HA) must be ordered.

If you have questions, contact your Sub-Zero dealer or cabinet supplier. Additional panel information can be found in the Sub-Zero Design Guide.

PANEL
DESIGN

Additional panel design information can be found in the Sub-Zero Design Guide. Check our website at subzero.com.



Illus. 9

Dimensions in parentheses are in millimeters unless otherwise specified.



MODELS
427 | 427R

PANEL
DESIGN

Additional panel design information can be found in the Sub-Zero Design Guide. Check our website at subzero.com.

STAINLESS STEEL DOOR PANEL

Before installing the stainless steel door panel, check the panel carefully. Options are available for kickplate/grille height, overall height, door swing and door lock.

The stainless steel panel is mounted to the door by passing the #8-32 x 5/8" screws provided, through holes in the door frame from the rear, and into the threaded holes in the door panel. Refer to illustration 10 below. The screw holes inside the door are hidden under a cover flap on the door gasket. It is necessary to lift the flap to insert the screws.

After the door panel is installed, apply the cover tape patches provided, over the holes on the inside surface of the door.

For installation of stainless steel panels on Model 427R drawers, see Model 427R Drawer Panels on page 22.

CAUTION
The cover plugs or patches are part of the insulation system on the door of the Wine Storage unit. Be sure to cover all the holes in the door that were used.

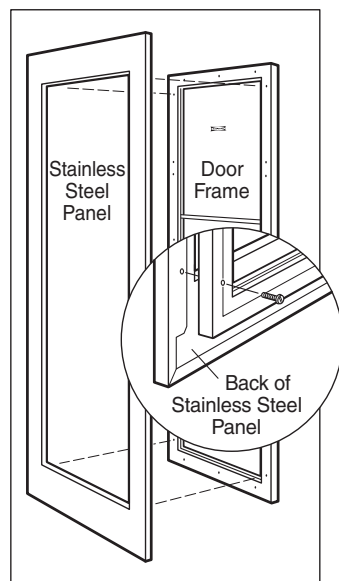
OVERLAY GLASS DOOR PANEL

Inspect the door panel for the minimum 5/8" (16) thickness, the greater width requirements for the stiles (to cover the door hinges), and the finished inside edge. The door panel has a weight limit of 20 lbs (9 kg). See the Wine Storage section of the Sub-Zero Design Guide for additional panel information.

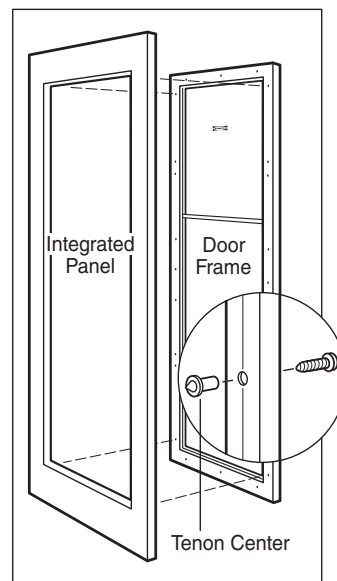
Decide if the handle will be attached through the glass door frame or just through the decorative door panel. If it is just through the door panel, the handle must be attached first.

If a lock is to be used, the body of the lock should be installed on the door panel after the panel is mounted.

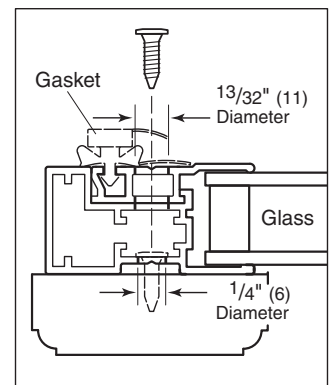
Decorative panels are attached to the Model 427 and 427R door using #8 x 5/8" square drive screws passing through the door frame from the rear, behind the gasket into the panel. The door panel is marked for screw locations by the use of 'tenon centers', which are temporarily inserted into the 1/4" (6) diameter holes in the front of the glass door frame. Refer to illustration 11 below.



Illus. 10



Illus. 11



Illus. 12



With the Wine Storage unit secured in position and the door closed, the panel is held in the desired position on the door and rapped by hand from the front, putting center marks on the rear surface of the panel. If the door panel is made of such a material that pre-drilling is needed, all of the mounting holes should be marked. If not, only enough holes to hold the panel in place temporarily, are necessary.

The door panel is then lowered from the door frame, tenon centers removed, the door opened and the screws driven into the panel through the black tape on the door frame, using the center marks to locate the screws.

The screw holes inside the door, are hidden under a cover flap on the door gasket. It is necessary to lift the flap to insert the screws. Use as many screws as necessary to hold the door panel in place properly.

IMPORTANT NOTE: After the first three or four mounting screws are in place, but not completely tightened, close the door and check your panel fit. This is the time to make small adjustments. Once you are satisfied with the appearance, open the door and apply the remainder of the screws. Check all screws for tightness.

The metal frame on the glass door has numerous mounting holes on each side of the door. This is to accommodate the Sub-Zero accessory handles and provide for easy attachment of the handle through the door frame.

If you choose not to use the pre-drilled handle mounting holes, it will be necessary to fasten the handle from the rear of the door panel only, or drill one or more additional holes through the metal frame of the glass door.

Illustration 12 on page 20, shows how this hole passes through the door frame. The hole center is on the small locator groove in the front of the frame. A 1/4" (6) diameter hole is made in the front wall of the extrusion and a 13/32" (11) diameter hole through the rest of the frame.

⚠ CAUTION

The wine storage unit door is made with a sealed double wall tempered glass core. The drill must not contact this core when drilling. Be sure the hole is centered on the small groove in the front of the door frame and the drill passes squarely through the frame. If you are inexperienced with drilling, fasten the handle from the rear of the door panel only.

IMPORTANT NOTE: Install screws in all the mounting holes in the door frame. The nature of the door panel with a narrow outer rim and no connecting center member requires the support provided by the glass door.

After the door panel installation is complete, apply the cover tape patches provided, over the holes on the inside surface of the door.

⚠ CAUTION

The cover plugs or patches are part of the insulation system on the door of the Wine Storage unit. Be sure to cover all the holes in the door that were used.



MODELS
427 | 427R

MODEL 427R DRAWER PANELS

PANEL
DESIGN

Additional panel design information can be found in the Sub-Zero Design Guide. Check our website at subzero.com.

IMPORTANT NOTE: Drawer panels for Model 427R must be a minimum of 5/8" (16) thick and cannot exceed 12 lbs (5 kg) for each panel.

Remove the mounting hardware provided and set aside. You should work on the back side of each drawer panel and you should protect the fronts of these panels.

Position the top edge of the drawer template flush with the top edge of each drawer. For the top drawer, there is only one place for the lower mounting bracket to be placed. However, depending on the depth of the lower drawer panel, you have two options for placement of the bracket. Refer to illustration 13 below.

Secure the template in place with tape or small clamps and mark positions for your pilot holes. Remove template. Drill pilot holes and place the hardware in the proper place (dog-ear bracket on top) and fasten securely with the #8 x 1/2" screws provided. See illustration 14.

To help with proper placement of drawer panels, examine the lower panel mounting bracket and determine which slotted holes to use. Position screws into the lower portion of the drawer that correspond with these slotted holes. Leave these screws out a small distance so they can help when you mount the drawer panels to the drawer.

With the two brackets in place on the drawer panel, engage the top dog-ear bracket first and then the lower bracket onto the protruding screws. You will have a 1/4" (6) adjustment up and down and side to side in each drawer panel. Fasten all screws to the lower bracket to secure the drawer panel.

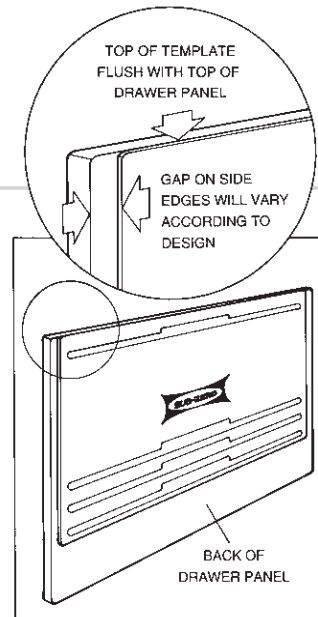
IMPORTANT NOTE: Once drawer panels have been adjusted for proper spacing, be sure to reconnect the control cable on the upper drawer, after you have installed the drawer. Refer to illustration 3 on page 15.

SOLID DOOR PANELS

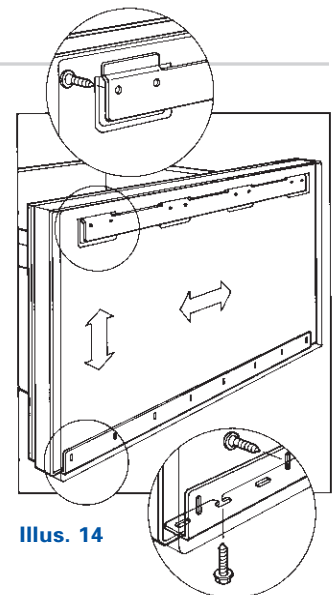
IMPORTANT NOTE: The solid door panel for Models 427 and 427R must be a minimum of 5/8" (16) thick and cannot exceed 40 lbs (18 kg).

Installation of the solid door panel is the same as the door panel for a glass door model.

CAUTION
A solid panel must not be installed on a glass door unit, as this may cause moisture to form behind the panel.



Illus. 13



Illus. 14



SIDE PANEL INSTALLATION

Side panels for Models 427 and 427R are not attached to the unit. You must securely fasten the panels to adjacent cabinets and floor.

Panels should be fastened to the floor and walls using 'L' brackets (hardware not provided). To help you move the unit into place, route out an area in the floor so the 'L' bracket will sit flush with the floor level. Brackets and screws are provided for mounting the unit to adjoining cabinets and side panels. Each unit has four side-mounting clips on each side.

IMPORTANT NOTE: For installations where you are not attaching to a side wall, or you are installing two Model 427, 427R or Integrated units together, you must remove the side-mounting clips before moving the unit into position. After removing the clips, replace the screws into the appliance.

Optional components are necessary for anchoring two Model 427, 427R or Integrated units together. Contact your Sub-Zero dealer or call 800-222-7820 for details.

LOCK INSTALLATION

For Models 427 and 427R, the accessory lock is attached to the decorative door panel through a field-drilled hole in the panel. The catch should be installed on the top of appliance cabinet before the unit was moved into position. Installation instructions are included with the lock kit.

IMPORTANT NOTE: For accessory stainless steel panels requiring a lock, panels must be ordered with the lock mounting hole pre-drilled.

90-DEGREE DOOR STOP

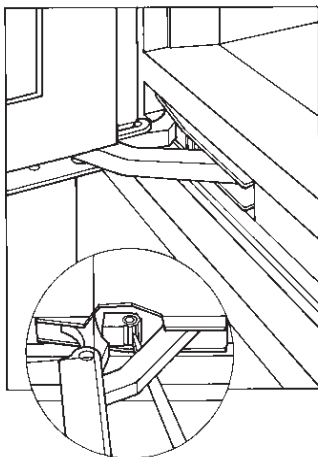
Models 427 and 427R have a 90° door stop built into the hinge system. Use the blade edge of a standard screwdriver and rotate the brass cam in the center portion of the hinge until you reach the stop. You must make this adjustment to both the bottom and top hinge. Refer to illustration 15 below.

COMPLETING THE INSTALLATION

IMPORTANT NOTE: When you have completed the installation of the Model 427 or 427R Wine Storage unit, refer to pages 34–35 for the Installation Checklist and Service Information.

OPTIONAL COMPONENTS

Optional installation components are available through your Sub-Zero dealer, or call Sub-Zero at 800-222-7820. You can also visit our website at subzero.com.



Illus. 15

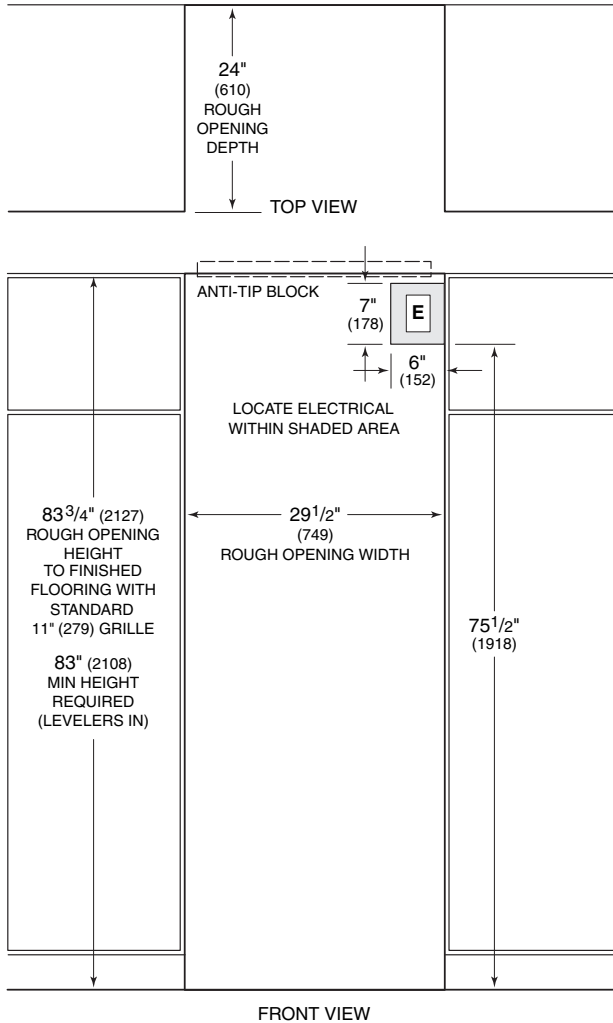
Dimensions in parentheses are in millimeters unless otherwise specified.



MODEL 430

MODEL 430 INSTALLATION

INSTALLATION SPECIFICATIONS



SITE PREPARATION

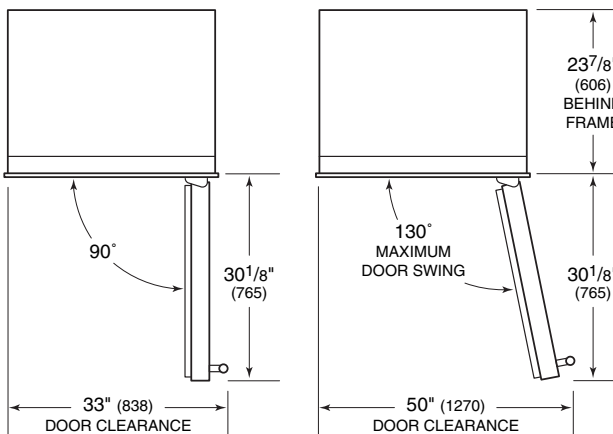
Make sure that the finished rough opening where the Wine Storage unit is to be installed is properly prepared. Refer to the Installation Specifications illustration for rough opening dimensions, door swing clearance and electrical placement for Model 430.

If you are installing two Model 430 units side by side, or a Model 430 and a Built-In model, a separating filler strip is recommended. Add the filler strip width to the finished rough opening dimension. Complete the installation with the Anchoring Kit (part #4200900), see page 33.

IMPORTANT NOTE: To operate properly, the door must open a minimum of 90°. Use a minimum 3" (76) filler strip in corner installations to assure a 90° door opening. Allow enough clearance in front of the unit for full door swing.

IMPORTANT NOTE: Make sure the floor under the unit is level with the surrounding finished floor.

CAUTION
Do not load wine into the Wine Storage unit until the installation is complete.



NOTE: Door swing clearances are based on stainless steel door and handle dimensions.



ELECTRICAL REQUIREMENTS

A 115 V AC, 60 Hz, 15 amp circuit breaker and electrical supply are required. A separate circuit, servicing only this appliance, is required.

The power supply cord has a 3-prong grounding plug, which must be plugged into a mating 3-prong grounding-type wall receptacle. Follow the National Electrical Code and local codes and ordinances when installing the receptacle. For location of the electrical supply, refer to the Installation Specifications illustration.

IMPORTANT NOTE: A ground fault circuit interrupter (GFCI) is not recommended and may cause interruption of operation.

⚠ WARNING

Do not use an extension cord or two-prong adapter. Electrical ground is required on this appliance.

HOME ALARM SYSTEM

If a home alarm system is to be used, refer to Home Alarm Connections on page 27. In addition to operating power, the installer may also be required to supply a home automation system lead to the unit. This is for a low-voltage, low-current signal similar to door and window sensor signals. Common, normally open and normally closed contact configurations are provided.

Three 1/4" (6) female spade connectors are located in the compressor compartment and are accessible behind the grille on Model 430. A minimum of 36" (914) of lead wire should be provided for each contact, exiting the back wall near the electrical outlet.

UNPACKING AND MOVING

Uncrate the unit, remove its wood base and discard the shipping bolts that hold the wood base to the bottom of the unit. Remove all packing materials and tape.

IMPORTANT NOTE: Do not discard the kickplate, anti-tip blocking kit and hardware. These items will be needed for the installation.

All roller-assembly wine shelves should be removed to reduce weight and prevent them from rolling. To remove, pull the shelf out to its full extension, gently and evenly lift up on both sides of the front of the shelf and remove. Reverse the procedure to reinstall the shelf.

Retract the front leveling legs to allow you to move the unit more easily during installation. You will extend the leveling legs when the unit is in its final position to reduce the possibility of the unit tipping forward.

Use an appliance dolly to move the unit. Remove the drain pan from the base of the unit to avoid damage to the drain pan, and allow for proper placement of the appliance dolly.

⚠ CAUTION

Before moving the Wine Storage unit in to position, protect any finished flooring with appropriate materials, secure the door closed and remove the grille.



MODEL 430

GRILLE REMOVAL

In order to prevent damage to the grille and to access the power cord, the top grille assembly should be removed prior to moving the unit.

Framed grille: Remove three counter-sunk grille screws at the bottom of the grille and cut the red nylon shipping strap. NOTE: Grille screws are accessed with the door open. Then tilt the grille forward and release the springs from behind the grille. Refer to illustration 1 below.

Overlay panel grille: First, remove the inner grille panel assembly as shown in illustration 2 below. Lift up, then pull out at the bottom, pull the top section down and out of the top key slot. Remove the four mounting screws that hold the outer grille panel assembly to the top compartment. Refer to illustration 3.

ANTI-TIP BLOCKING KIT

⚠ WARNING

To prevent the unit from tipping forward and provide a stable installation, the unit must be secured in place with an anti-tip blocking device.

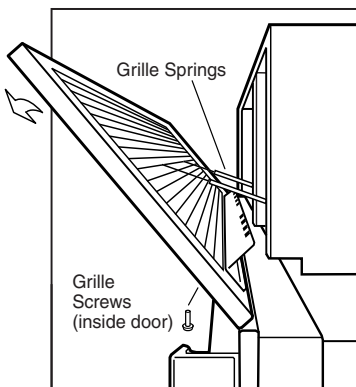
An anti-tip blocking kit (wood block and hardware) is provided with the Model 430.

If there is a solid soffit above the unit with clearance between the unit and the soffit of 1" (25) or less, you won't need to block the unit. For installations with clearances of more than 1" (25), you must install the anti-tip blocking kit, to prevent tipover in case several loaded wine shelves are extended at the same time.

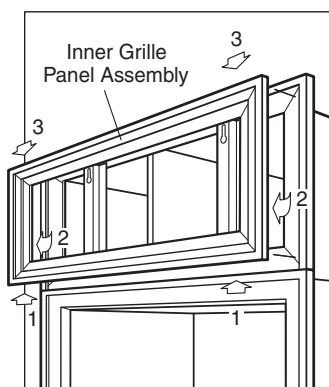
Locate and mark two wall studs against the wall where the unit will be installed. Then locate the proper height to clear the unit. The space between the unit top and the bottom of the wood block must not be more than 1/4" (6).

Position the wood block over the unit and use the screws and 'L' brackets to lock it in place. Make sure the screws extend a minimum of 7/8" (22) into each of the two wall studs. The wood block must be positioned securely and must extend at least 3" (76) over the unit. Refer to illustration 5 on page 27.

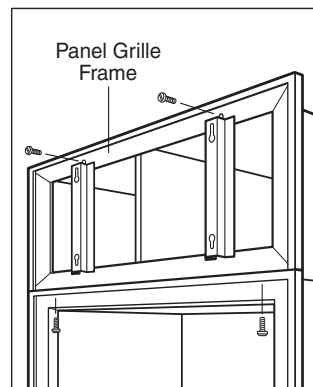
Using the front and rear leveling legs, raise the unit until it makes contact with the wood block. See Level the Unit on page 28.



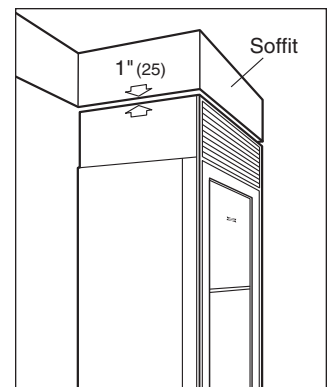
Illus. 1



Illus. 2



Illus. 3



Illus. 4



LOCK INSTALLATION

IMPORTANT NOTE: If you are adding an accessory lock kit to your Wine Storage unit, it should be installed before you position the unit. Installation instructions are included with the lock kit.

For Model 430, the lock is attached to the bottom of the metal door frame. The decorative door panel is not involved in the installation or operation of the lock. The catch portion of the lock is attached to the bottom of the appliance cabinet in pre-punched holes. When installing the lock kit, it may be helpful to tip the unit on it's back for easier access.

If a home alarm system is to be used with the Wine Storage unit, the lead wires should be threaded into the compressor compartment before you position the unit. See Home Alarm Connections on page 28, for the location of these lead wires. After the unit is in position, the alarm wiring can be completed from the front.

Roll the unit into position under the wood block or soffit. Model 430 is equipped with rollers, so you can easily move the unit into place. Using the front and rear leveling legs, raise the unit until it makes contact with the wood block.

POSITION THE UNIT

IMPORTANT NOTE: If for any reason the Wine Storage unit has been laid on its back or side, you must allow the unit to stand upright for a minimum of 24 hours before connecting power.

Plug the power supply cord into the 15 amp grounded electrical outlet. With power applied to the appliance, check for lighting and cooling before going any further. Once you are satisfied that the unit is operating properly, shut off power to the electrical outlet at the circuit breaker and proceed.

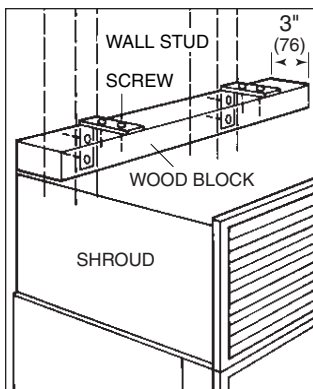
LEVEL THE UNIT

Once the unit is in position, extend the front leveling legs down to make contact with the floor. Level the unit by turning the front leveling legs clockwise to raise the unit, or counterclockwise to lower it. The rear height adjustment can be made by turning the ⁵/₁₆" hex bolt at the front of the base. Refer to illustration 6 below.

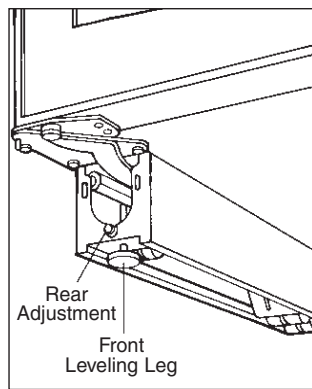
IMPORTANT NOTE: Be sure to reference leveling of the unit to the floor and not to surrounding cabinetry.

⚠ WARNING
 Shut off the power to the electrical outlet.

⚠ WARNING
 To reduce the possibility of the unit tipping forward, the front leveling legs must be in contact with the floor.



Illus. 5



Illus. 6

Dimensions in parentheses are in millimeters unless otherwise specified.



MODEL 430

HOME ALARM CONNECTIONS

Before the kickplate and grille are installed, all necessary wiring connections in the compressor compartment should be completed.

If a home alarm system is to be installed on the Wine Storage unit, the connections should be made using the logic supplied with the alarm specifications. See illustration 7 below for the appliance lead locations, and refer to the following for color codes:

- Normally open contacts – white with red stripe wire
- Normally closed contacts – white with blue stripe wire
- Common – gray with white stripe wire

Use the 1/4" (6) spade terminals or wire nuts provided to make the proper wiring connections.

IMPORTANT NOTE: If you are not responsible for alarm system connection, this information should be supplied to the home security system contractor.

⚠ CAUTION

The alarm circuit in the unit is intended as a low-voltage, low-current device only. It should not be used to switch line power.

Any unused terminals should be completely insulated and all wires should be secured away from conductive or moving components.

KICKPLATE AND GRILLE

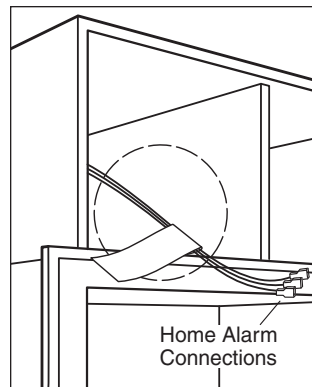
After the unit has been leveled, make sure the drain pan is installed properly and install the kickplate. Refer to illustration 8 below.

IMPORTANT NOTE: The kickplate must be removed for servicing. The floor cannot interfere with removal. Refer to label mounted on the kickplate support for height clearance.

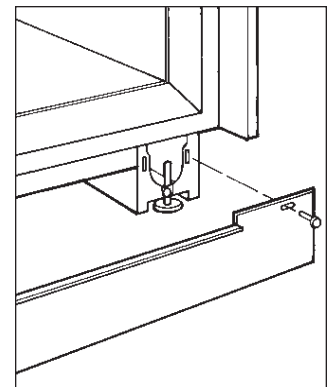
IMPORTANT NOTE: The floor under the Wine Storage unit must be at the same level as the surrounding finished floor to allow for removal of the unit for servicing.

Replace the grille by reversing the procedure outlined on page 26. If you're using a panel grille, see Overlay Grille Panels on page 31.

Turn power back on to the electrical outlet.



Illus. 7



Illus. 8

Dimensions in parentheses are in millimeters unless otherwise specified.



DOOR PANELS

Model 430 is offered in three design applications; stainless steel (S), framed (F) or overlay (O). Each of these designs is available as a glass door (G) or solid door (S) model.

The stainless steel Model 430/S is available in three finishes—classic, platinum and carbon—and is shipped from the factory with the decorative stainless steel door panel and handle in place.

The framed Model 430/F accepts a decorative front panel which is inserted into the door frame channel. This panel will be provided by the customer. The handle is included as part of the door frame system.

The overlay Model 430/O is designed to accept a decorative door panel to match surrounding cabinetry. This door panel and the handle will be provided by the customer.

The solid door model—with no glass window—requires a different door panel than the glass door design.

Before beginning installation, check for the correct components for the fit and finish desired. All glass doors models require a decorative panel a minimum of 5/8" (16) thick. For the framed Model 430/F solid door, the panel must be a minimum of 1/4" (6) thick.

FRAMED DOOR PANEL

Inspect the door panel for the minimum 5/8" (16) thickness, the required 1/4" (6) routing around the perimeter, as shown in illustration 11 on page 30, and the finished inside edge. The door panel has a weight limit of 25 lbs (11 kg). See the Wine Storage section of the Sub-Zero Design Guide for additional panel information.

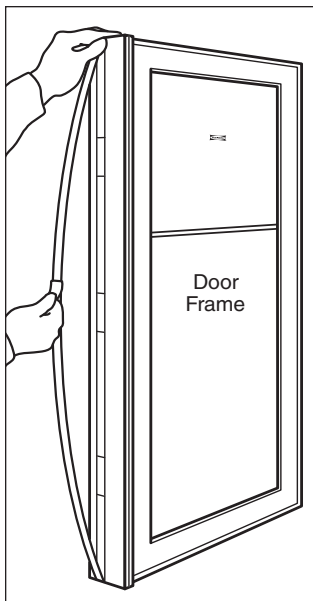
Remove the door handle to install the panel. The handle screws are hidden by a magnet-backed trim molding. Remove the molding using a piece of tape to pull it away from the handle and expose the handle screws. The molding will bend at the center so you can remove it. Refer to illustration 9 below.

With a Phillips screwdriver, remove the handle from the door. Slide the panel into the channels provided by the trim extrusions on the door. With the door panel in position, replace the handle. This is an extended version of the standard Sub-Zero handle, so no routing of the door panel should be required for proper finger clearance. Be sure the panel is inserted completely into the channels for proper fit and alignment. Refer to illustration 10.

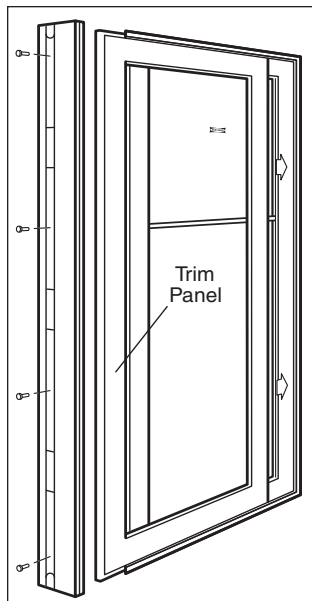
Replace the trim moldings by inserting the top, then the bottom into the handle channel. Release the middle and set the magnets.

PANEL DESIGN

Additional panel design information can be found in the Sub-Zero Design Guide. Check our website at subzero.com.



Illus. 9



Illus. 10



MODEL 430

FRAMED DOOR PANEL

OVERLAY DOOR PANEL

PANEL DESIGN

Additional panel design information can be found in the Sub-Zero Design Guide. Check our website at subzero.com.

Install the #8 x 5/8" screws through the back of the glass door frame into the door panel. Refer to illustration 11 below.

IMPORTANT NOTE: The door panel should not be relied on to remain straight and flat by itself. Secure it to the wine storage unit door with the screws provided.

After the door panel installation is complete, apply the cover patches or plugs provided, over the holes on the inside surface of the door.

CAUTION
The cover plugs or patches are part of the insulation system on the door of the Wine Storage unit. Be sure to cover all the holes in the door that were used.

If your customer has chosen an overlay design door and grille panel, the unit will be shipped without handle and hardware. The cabinet manufacturer or designer will provide handle hardware at the job site to match the overall decorating scheme. We recommend larger D-style pulls. The use of small, one-piece knobs is not recommended.

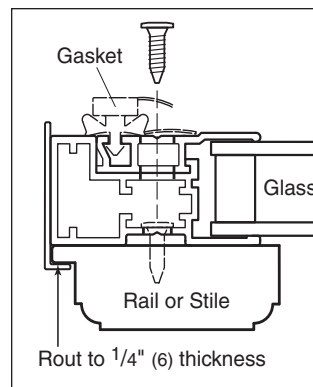
The metal frame on the glass door has numerous mounting holes on each side of the door. This is to accommodate the Sub-Zero accessory handles and provide for easy attachment of the handle through the door frame.

If you choose not to use these pre-drilled mounting holes, you must either drill additional holes through the metal frame of the door, or attach the handle through the door panel only.

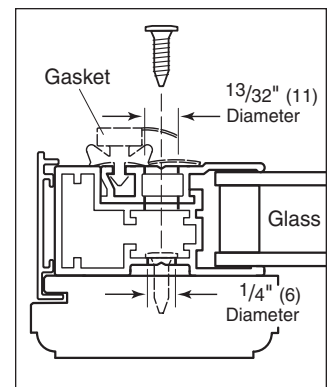
If you attach through the door panel only the handle must be attached before the door panel is installed and the handle screws will need to be set into the rear surface of the door panel.

If you choose to drill through the metal door frame, this must be done before the handle holes are located and drilled in the panel.

Illustration 12 shows how this hole passes through the door frame. The hole center is on the small locator groove in the front of the frame. A 1/4" (6) diameter hole is made in the front wall of the extrusion and a 13/32" (11) diameter hole through the rest of the frame.



Illus. 11



Illus. 12

Dimensions in parentheses are in millimeters unless otherwise specified.



⚠ CAUTION

The wine storage unit door is made with a sealed double wall tempered glass core. The drill must not contact this core when drilling. Be sure the hole is centered on the small groove in the front of the door frame and the drill passes squarely through the frame. If you are inexperienced with drilling, fasten the handle from the rear of the door panel only.

Sub-Zero allows a 1/4" (6) space to slide the backing material into place on the door frame. Requirements for proper fit and appearance are; 5/8" (16) minimum overall thickness, .10" (3) wide groove between backer portion and overlay portion of panel, finished inside edge and 25 lbs (11 kg) maximum weight. See the Wine Storage section of the Sub-Zero Design Guide for additional panel information.

IMPORTANT NOTE: The size of the overlay panel is critical. It must fit over the door frame.

To install overlay panels, first remove the magnet backed trim molding using a piece of tape to pull it away from the frame and expose the frame screws. The molding will bend at the center so that you can remove it.

Remove the frame by removing the five screws holding it in place. The door channel is now ready to accept the overlay panel. Slide the panel into the frame on the door. With the panel in position, replace the frame end. Be sure the panel is inserted completely into the channel for proper fit and alignment. Next, replace the trim molding by inserting the top, then the bottom into the frame channel. Release the middle and set the magnets.

Install the #8 x 5/8" screws through the back of the glass door frame into the door panel.

IMPORTANT NOTE: Install screws in all the mounting holes in the door frame. The nature of the door panel with a narrow outer rim and no connecting center member requires the support provided by the glass door.

After the door panel installation is complete, apply the cover tape patches provided, over the holes on the inside surface of the door.

⚠ CAUTION

The cover plugs or patches are part of the insulation system on the door of the Wine Storage unit. Be sure to cover all the holes in the door that were used.

OVERLAY GRILLE PANEL

If you have not already removed the inner and outer grille frame for moving the unit, remove the inner grille panel assembly, see Grille Removal on page 26. Remove the top two corner screws and pull away the top frame. Slide the panel into position in the grille frame. If you are using a grille panel 1/4" (6) or thinner, you will need to install a filler.

Reattach the top frame by reinstalling the two top corner screws. Install the inner grille panel assembly onto the unit.

SOLID DOOR PANEL

IMPORTANT NOTE: The solid door panel for Model 430 must be a minimum of 5/8" (16) thick, except for the framed Model 430/F, which must be a minimum of 1/4" (6) thick. All door panels have weight limit of 50 lbs (23 kg).

Solid door panels on the Model 430 do not need mounting screws fastened into the panel.

⚠ CAUTION

A solid panel must not be installed on a glass door unit, as this may cause moisture to form behind the panel.



MODEL 430 SIDE PANEL INSTALLATION

If you're installing a Model 430 with side panels, check with your installer or use one of the following Side Panel Installation Options.

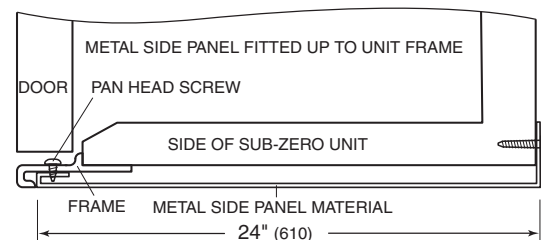
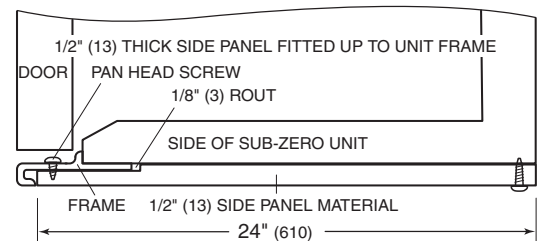
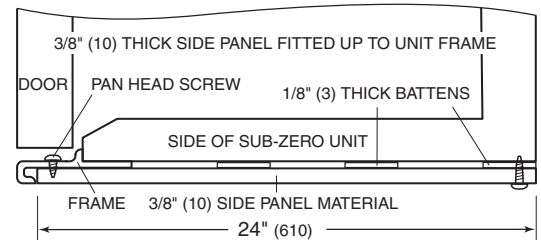
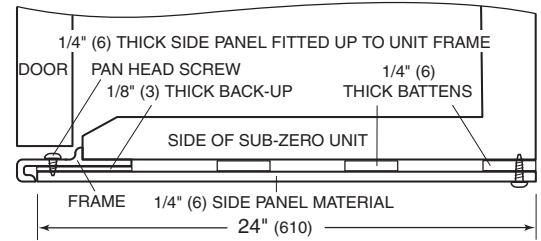
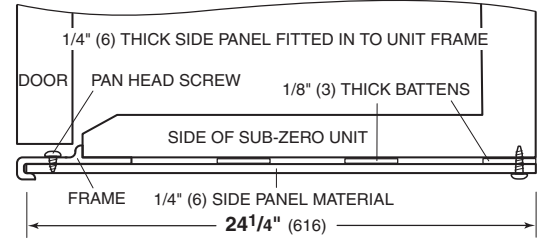
Drill three holes equidistant in a vertical section of the aluminum frame, and install pan head screws. Do not drill through model and serial number plate. Anchor the side panel with decorative screws or finishing nails from a local hardware store. Do not use adhesives. Refer to illustration 13 below.

The dimensions given in the Side Panel Installation Options are for typical wood side panels. If a 1/4" (6) thick or less panel is used and inserted into the return channel extrusion, then a 24 1/4" (616) wide panel is necessary. In this application, the panel must be notched for the grille and other brackets or screws that are in the return channel. Toe kick cut-outs will be necessary for all side panel applications. Refer to illustration 14 below.

IMPORTANT NOTE: The use of side panels may change the width of your rough opening.

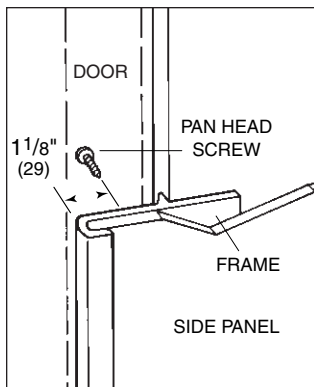
IMPORTANT NOTE: The overall height on the side panel will vary with the height of the grille being used. Make sure you know your finished height before cutting any panels.

SIDE PANEL INSTALLATION OPTIONS

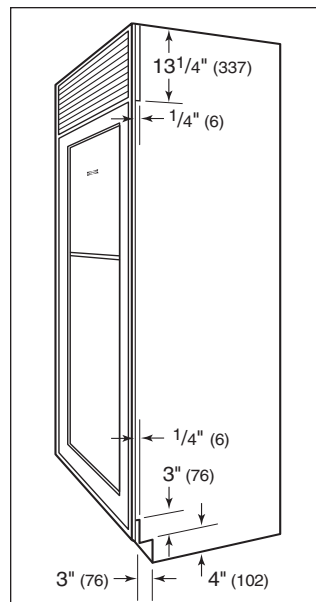


Top Views

Dimensions in parentheses are in millimeters unless otherwise specified.



Illus. 13



Illus. 14



ANCHOR THE UNIT

After door and side panels have been installed, the unit has been leveled and door adjustment completed, anchor the unit to the opening. This will assure a proper fit and a secure installation. The Sub-Zero Anchoring Kit (part #4200900), available from your Sub-Zero dealer, includes the necessary hardware.

IMPORTANT NOTE: Be sure to level and square the unit before anchoring it.

TWO UNITS ANCHORED TOGETHER

- Drill three 13/64" holes through the middle trim of both units.
- Using the Loctite on the screws, install the three Chicago screw posts.
- Recheck the units for level.
- Drill three 3/16" holes through both outer trims. Refer to illustration 15 below.
- Using a 1/8" drill bit, drill into the cabinetry for a pilot hole.
- Install all six Sems to the cabinetry.

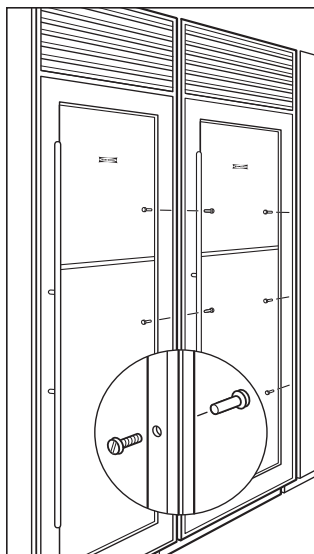
UNIT ANCHORED TO CABINETRY

- First, make sure units have been leveled and aligned, and doors adjusted.
- Drill three 3/16" holes through both outer trims. Refer to illustration 16 below.
- Drill a 1/8" pilot hole into the cabinetry.
- Install all six Sems.

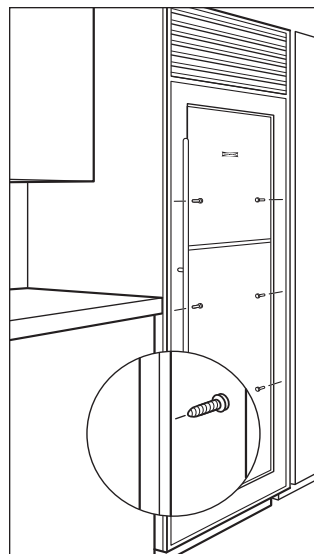
⚠ CAUTION
 Do not drill through the model and serial number plate.

OPTIONAL COMPONENTS

Optional installation components are available through your Sub-Zero dealer, or call Sub-Zero at 800-222-7820. You can also visit our website at subzero.com.



Illus. 15



Illus. 16



MODEL 430

HINGE ADJUSTMENT

INSTALLATION CHECKLIST

OPTIONAL COMPONENTS

Optional installation components are available through your Sub-Zero dealer, or call Sub-Zero at 800-222-7820. You can also visit our website at subzero.com.

IMPORTANT NOTE: The unit must be installed and leveled before adjusting the door hinges.

Check to make sure the door is properly adjusted. If not, adjust the top or bottom door hinge by first removing and discarding the two small shipping screws. Refer to illustration 17 below. Adjust the top hinge left to right and in or out by loosening the three allen head screws. Adjust the bottom hinge by loosening the four allen head screws with a 1/8" (3) allen wrench. Refer to illustration 18. The door will now be able to move left to right or in and out.

90-DEGREE DOOR STOP

An optional 90° door stop kit for Model 430 is available through your Sub-Zero dealer.

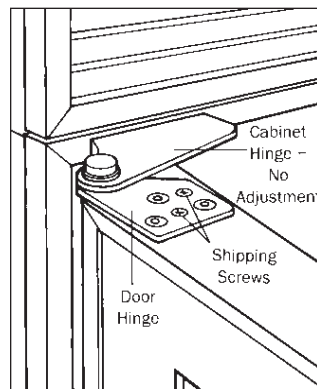
The importance of the installation of the Sub-Zero Wine Storage unit cannot be overemphasized. Proper installation is the responsibility of the selling dealer or installer.

IMPORTANT NOTE: To ensure a safe and proper installation, the following checklist should be completed by the installer to ensure that no part of the installation has been overlooked.

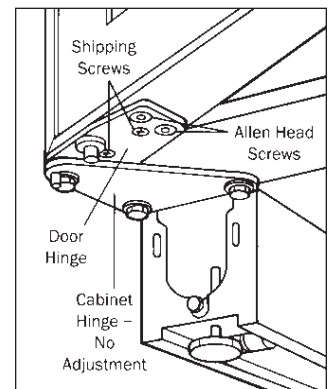
Any questions or problems about the installation should be directed to your Sub-Zero dealer or the Sub-Zero Customer Service Department at 800-222-7820 or e-mail customerservice@subzero.com. You can also visit our website at subzero.com.

COMPLETING THE INSTALLATION

IMPORTANT NOTE: When you have completed the installation of the Model 430 Wine Storage unit, refer to the following Installation Checklist and Service Information.



Illus. 17



Illus. 18

Dimensions in parentheses are in millimeters unless otherwise specified.



SERVICE INFORMATION

INSTALLATION CHECKLIST

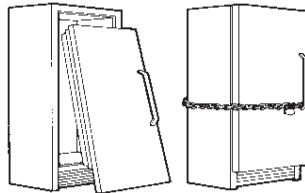
- Has the packing material been removed?
- Turn the unit on first, is the unit operating properly? If not, is it plugged in? Is the control turned on?
- Has the unit been secured in place with an anti-tip bracket or by a secure overhead cabinet or structure?
- Are front leveling legs extended and making contact with the floor? Is the unit level?
- Is power cord connected directly to a properly grounded 3-prong outlet?
- Has the drain pan been installed properly, (Model 430)?
- Is the kickplate screwed in place?
- Are the grille screws back in position, (Model 430)?
- Are door panels attached securely and properly aligned?
- Are doors aligned for proper appearance and operation?
- Have installation problems been noted on Product Registration card?
- Does the 90° door stop need to be applied?
- Have you given your customer the warranty package?

If you need service, be sure to have the model and serial number when you call. You'll find these numbers on the model and serial number plate. For Models 424 and 424FS, the plate is located on the underside of the top wall. For Models 427 and 427R, it is attached to the underside of the control panel. For Model 430, the plate is located inside the door near the top hinge on the main frame extrusion.

Contact a Sub-Zero authorized service center, a Sub-Zero dealer, or the Sub-Zero Customer Service Department, P. O. Box 44130, Madison, WI 53744-4130, call 800-222-7820 or e-mail customerservice@subzero.com.

▲ WARNING

If you are storing or disposing of your old refrigerator or freezer, please do it safely. Remove the doors or tightly secure the doors closed. Child entrapment accidents can be tragic.



CONTACT INFORMATION

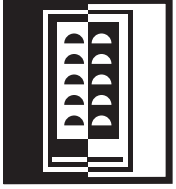
**Sub-Zero
Customer Service:
800-222-7820**

**Website:
subzero.com**

**E-mail Address:
customerservice@subzero.com**

The information and images in this book are the copyright property of Sub-Zero Freezer Company, Inc. Neither this book nor any information or images contained herein may be copied or used in whole or in part without the express written permission of Sub-Zero Freezer Company, Inc.

©Sub-Zero Freezer Company, Inc. all rights reserved.



SUB-ZERO FREEZER COMPANY, INC. P. O. BOX 44130 MADISON, WI 53744-4130 800-222-7820 SUBZERO.COM

