

DBVH520GJ

GE® 7.0 Cu. Ft. Super Capacity Frontload Gas Dryer

Dimensions and Installation Information (in inches)

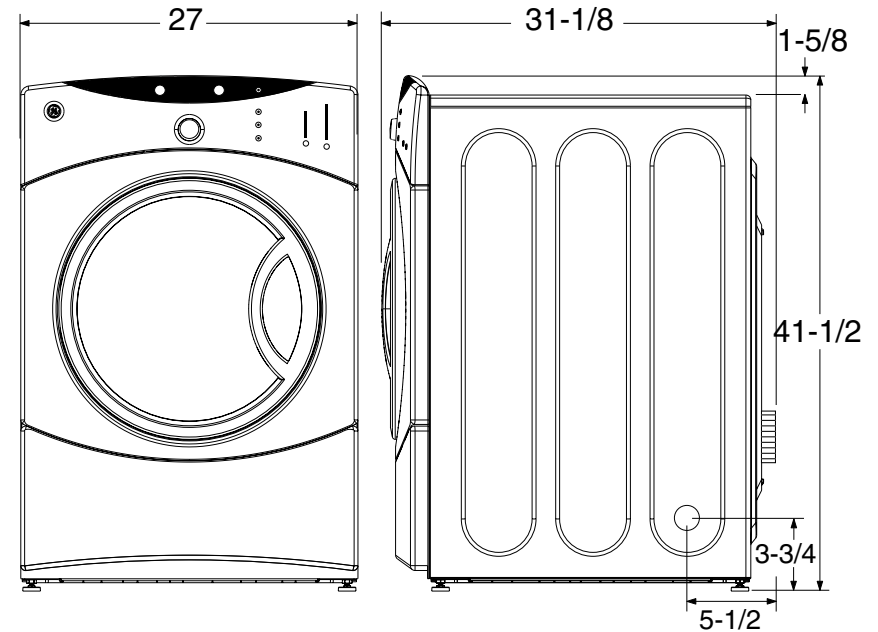
Gas Dryer Rating	
120V	60Hz, 6A

Exhaust Options: 3-way via rear, left, and bottom.

Circuit Requirements: An individual, properly grounded branch circuit, protected by a 30-amp circuit breaker or a time-delay fuse, is required.

Note: Dryer wall outlet must be located within 36" of service cord entry and accessible when dryer is mounted in position.

Installation Information: For complete information, see installation instructions packed with your dryer.



For answers to your Monogram®, GE Profile™ or GE® appliance questions, visit our website at ge.com or call GE Answer Center® service, 800.626.2000.



DBVH520GJ

GE® 7.0 Cu. Ft. Super Capacity Frontload Gas Dryer

Special Installation Requirements:

Stacked Installation:

- Brackets for stacking dryer over washer are not included with the washer. Order part no. WE25X10018.

Alcove or Closet Installation:

- If your dryer is approved for installation in an alcove or closet, it will be stated on a label on the dryer back.
- The dryer MUST be exhausted to the outside.
- Minimum clearances between dryer cabinet and adjacent walls or other surfaces are: 0" either side, 3" front and rear
- Minimum vertical space from floor to overhead cabinets, ceilings, etc. is 52".
- Closet doors must be louvered or otherwise ventilated and must contain a minimum of 60 sq. in. of open area equally distributed. If this closet contains both a washer and a dryer, doors must contain a minimum of 120 sq. in. of open area equally distributed.
- No other fuel-burning appliance shall be installed in the same closet with a gas dryer.

Bathroom or Bedroom Installation:

- The dryer MUST be exhausted to the outdoors.
- The installation must conform with the local codes, or in the absence of local codes, with the National Fuel Gas Code, ANSI Z223.

Minimum Clearance other than Alcove or Closet Installations:

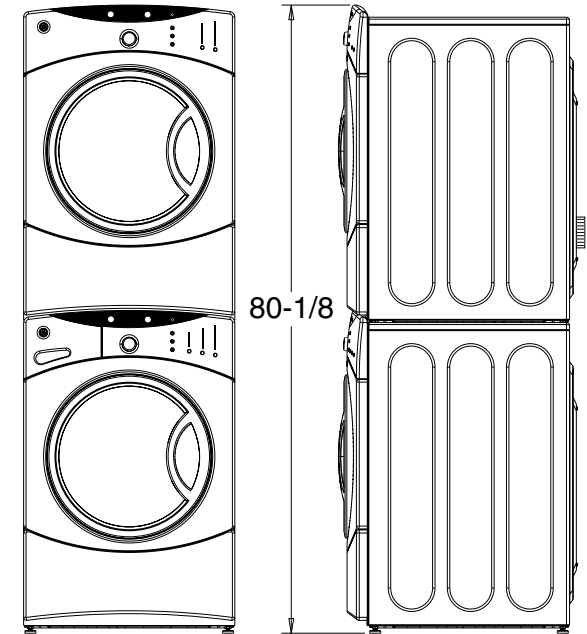
- Minimum clearances to combustible surfaces 0" both sides, 3" rear.

For more information on venting kits and accessories, please call 1-800-GE-CARES.

For answers to your Monogram®, GE Profile™ or GE® appliance questions, visit our website at ge.com or call GE Answer Center® service, 800.626.2000.



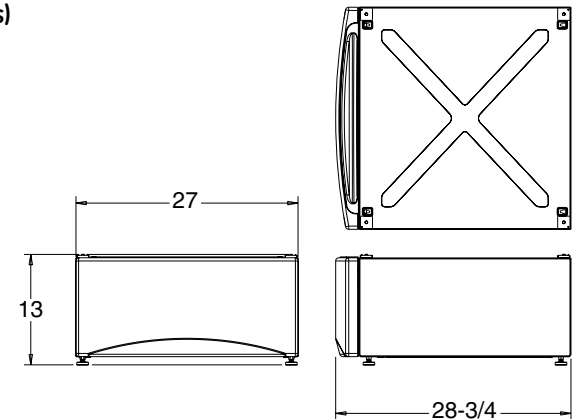
Stacked Dimensions (in inches)



Pedestal Dimensions (in inches)

SBSD137HWW - white

This optional 13" pedestal raises the door opening and height of the washer or dryer. Feet on 13" pedestal allow it to adjust to 13-3/8" height.



DBVH520GJ

GE® 7.0 Cu. Ft. Super Capacity Frontload Gas Dryer

Dryer Exhausting Information – Metal Duct Only

For complete information, see installation instructions packed with your dryer.

Ducting Materials: For best performance, this dryer should be vented with 4" diameter all rigid metal exhaust duct. If "all rigid metal" duct cannot be used, then "flexible all metal" venting can be used, but it will reduce the maximum recommended duct length.

Exhaust Length Calculation:

1. Determine the number of 90° turns needed for your installation. If you exhaust to the side or bottom of dryer, add one turn.
2. The maximum length of 4' rigid (aluminum or galvanized) duct which can be tolerated is shown in the table. The maximum length for flexible ducts are less than for rigid duct.
A turn of 45° or less may be ignored. Two 45° turns within the duct length should be treated as a 90° elbow.
A turn over 45° should be treated as a 90° elbow.

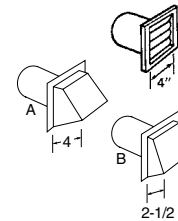
Exhausting the dryer to the outside is strongly recommended to prevent large amounts of moisture and lint from being blown into the room. Gas dryers or any dryer located in a closet **must** be exhausted to the outside.

Caution: For personal safety do not terminate exhaust into a chimney, under any enclosed house floor (crawl space), or into an attic, since the accumulated lint could create a fire hazard or moisture could cause damage. Never terminate the exhaust into a common duct or plenum with a kitchen exhaust, since the combination of lint and grease could create a fire hazard.

Exhaust ducts should be terminated in a dampered wall cap to prevent back drafts, bird nesting, etc. The wall cap must also be located at least 12" above the ground or any other obstruction with the opening pointed Down.

Other terminations, such as louvered wall boxes, are acceptable provided they are equivalent to a 4" opening dampered wall cap.

For more information on venting kits and accessories, please call 1-800-GE-CARES.



		Best Performance			
		Maximum Length of 4" Dia. Rigid Metal Duct		Maximum Length of 4" Dia. Flexible Metal Duct	
		Exhaust Hood Type		Exhaust Hood Type	
Number of 90° Turns		A	B	A	B
		4" Opening	2-1/2" Opening	4" Opening	2-1/2" Opening
Front Loading Dryers	0	90 ft.	60 ft.	55 ft.	45 ft.
	1	60 ft.	45 ft.	40 ft.	30 ft.
	2	45 ft.	35 ft.	30 ft.	20 ft.
	3	35 ft.	25 ft.	20 ft.	15 ft.

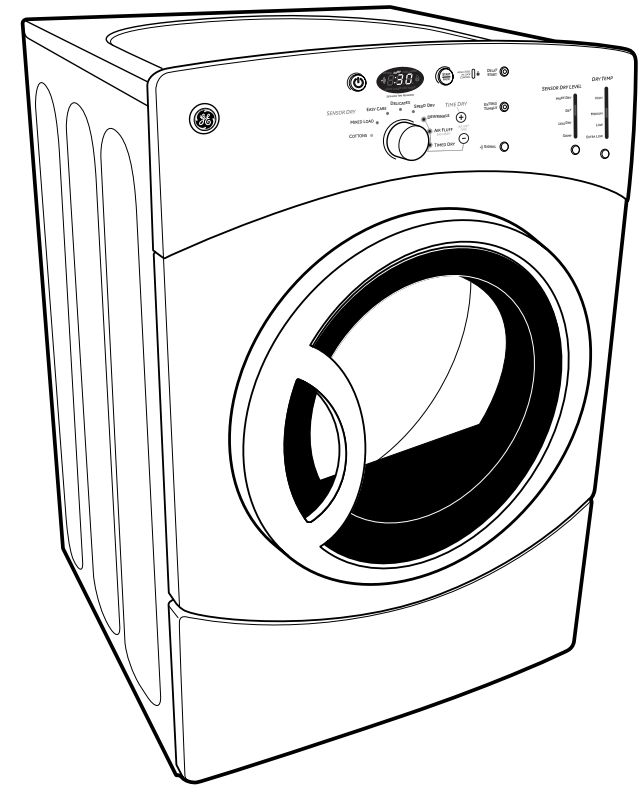


DBVH520GJ

GE® 7.0 Cu. Ft. Super Capacity Frontload Gas Dryer

Features and Benefits

- 7.0 Cu. Ft. Super Capacity - Handles large-size items and family-size loads
- Sensor Dry Plus™ - Continually monitors moisture levels to help clothes look better longer
- Rotary Electronic Controls with Cycle Countdown Display and LED Indicators - Simplify the cycle selection and provide accurate cycle times
- Interior Dryer Light - Lets you see everything inside for easy loading and unloading
- Quiet-By-Design™ - Engineered for quiet operation
- Adjustable End-of-Cycle Signal - Alerts you when cycle is done, saving time between loads
- Multiple Dry Cycles - Deliver optimal drying results
- Delay Start - Lets you do the laundry on your terms
- Four Heat Selections - Provide the right temperature for the right drying results
- DuraDrum™ - Provides long-lasting dependability and durability
- Delicate Cycle with Extra-Low Heat Setting - Maintains an average fabric temperature of 125 degrees F to protect fine handwashables
- Speed Dry - Delivers ready-to-go results in minutes
- Model DBVH520GJWW - White on white



imagination at work