

FRIGIDAIRE

Factory Parts Catalog

Product No.	FGBD2432KB0	FGBD2432KF0	FGBD2432KW0
Series	Built-in 24"	Built-in 24"	Built-in 24"
Color	black	stainless	white
Owner's Guide English	154768901	154768901	154768901
Owner's Guide Spanish	154768903	154768903	154768903
Owner's Guide French	154768902	154768902	154768902
Service Data Sheet	154768401	154768401	154768401
Energy Guide	154758431	154758431	154758431
Installation Instructions	154427301	154427301	154427301
Market	North America	North America	North America

 **Electrolux**

Electrolux Major Appliances
North & Latin America
P.O. BOX 212378
AUGUSTA, GA 30917

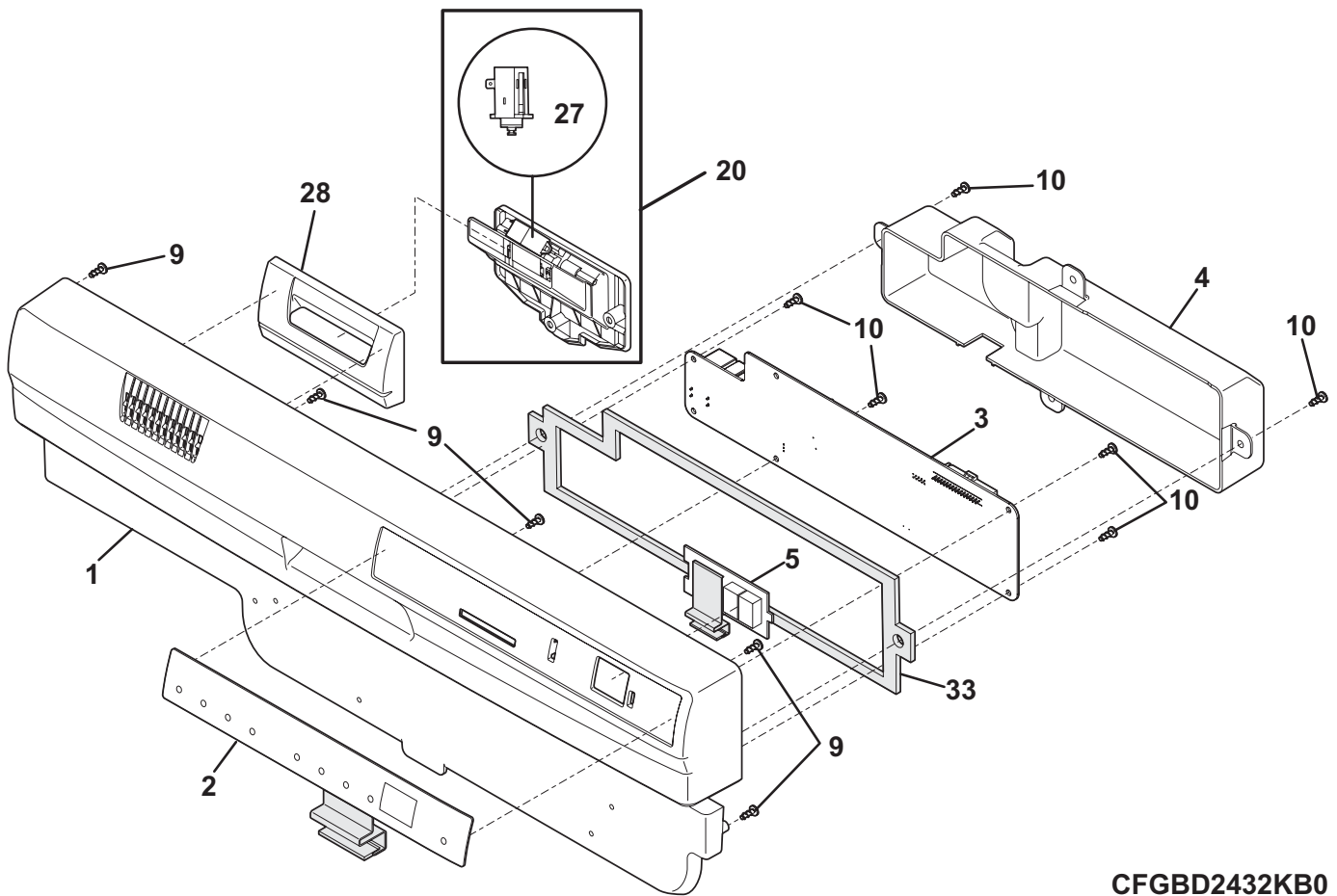
Publication No.
5995541710
09/06/01
(EN/SERVICE/ECL)
821

**24-INCH BUILT-IN
DISHWASHER**

Model No.
FGBD2432K

Copyright © 2009 Electrolux Home Products, Inc.
All rights reserved.

CONTROL PANEL



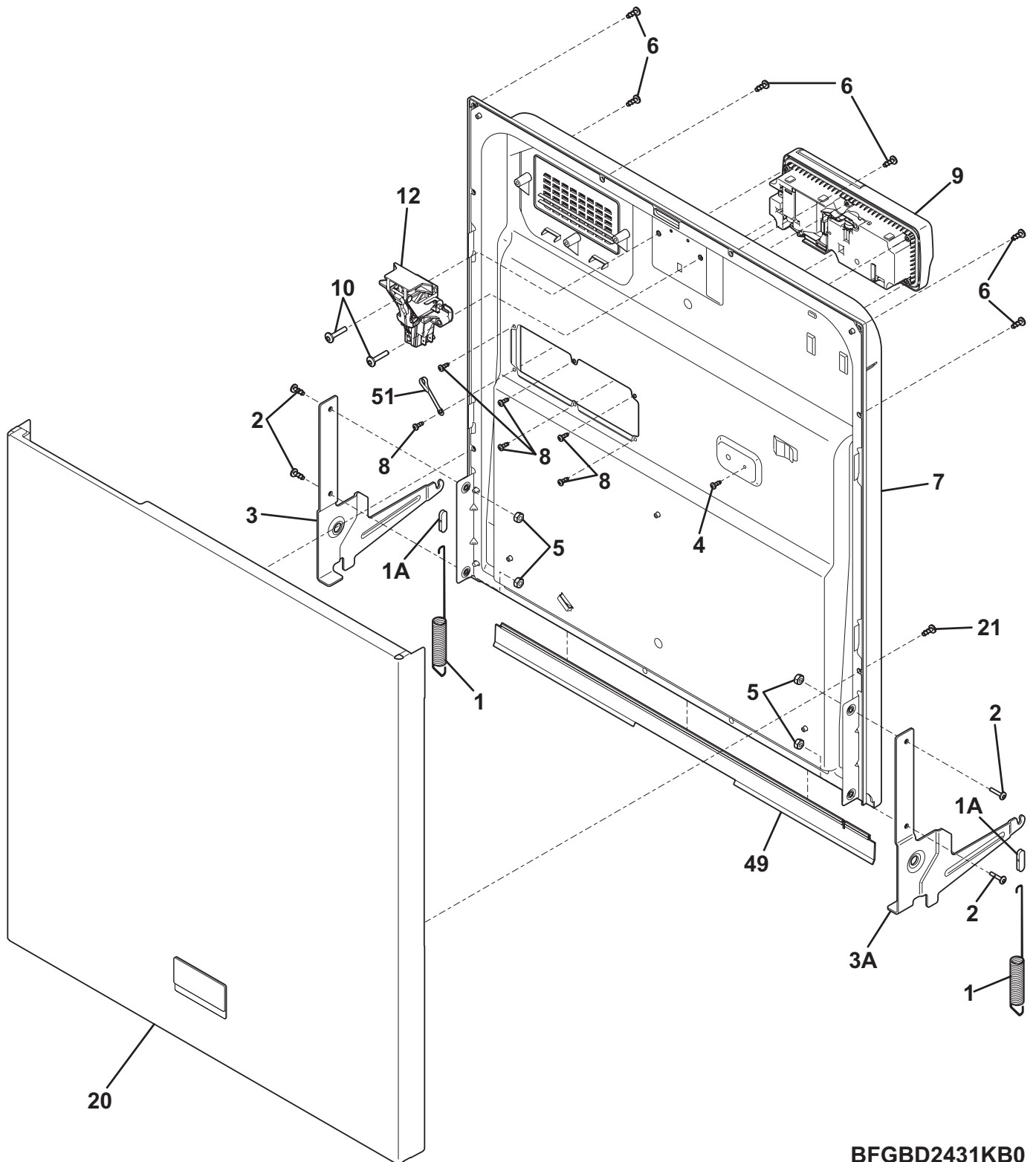
CFGBD2432KB0

CONTROL PANEL

Model Index: A FGBD2432K (FGBD2432KB0)
 B FGBD2432K (FGBD2432KF0)
 C FGBD2432K (FGBD2432KW0)

POS. NO	PART NO.		DESCRIPTION
1	154752603	A B -	Console Assembly, w/pocket handle, black
1	154752601	- - C	Console Assembly, w/pocket handle, white
2 #	154735903	A B -	Insert, control panel, black
2 #	154735901	- - C	Insert, control panel, bisque
3 #	154752801	A B C	Board, control
4	154718801	A B C	Cover, control
5 #	154734301	A B C	Display Board, 7 segment
9	154282901	A B C	Screw, Phillips, 8-10 x .7
10	154294701	A B C	Screw, #7 plas .375, (6), disp. assy.
20	154423601	A B C	Vent assy, active dry, w/actuator
20*	154436201	A B C	Screw, dry duct, (3)
27	154433501	A B C	Actuator, active dry vent
28	154723201	A B C	Adapter, vent
33	154478901	A B C	Gasket, cover
* #	154646001	A B C	Wiring Harness, main
*	154409401	A B C	Screw, ground, #8-18 x .375
*	154758431	A B C	Energy Guide

DOOR



BFGBD2431KB0

DOOR

Model Index: A FGBD2432K (FGBD2432KB0)
 B FGBD2432K (FGBD2432KF0)
 C FGBD2432K (FGBD2432KW0)

POS. NO	PART NO.		DESCRIPTION
1	154430501	A B C	Spring, door, (2)
1A	154325201	A B C	Linkage, door spring, (2)
2	154093301	A B C	Screw, arm assy, (4)
3	154691201	A B C	Arm Assy, LH
3A	154691101	A B C	Arm Assy, RH
*	154647101	A B C	Hinge Pin, arm assy
*	154686401	A B C	Bearing, hinge pin
4	154409401	A B C	Screw, ground, #8-18 x .375
5	154079601	A B C	Nut, arm assy, and handle mtg.
6	154282901	A B C	Screw, Phillips, 8-10 x .7
7	154494601	A B C	Liner, door assy.
8	154294701	A B C	Screw, #7 plas .375, (6), disp. assy.
9 #	154542107	A B C	Dispenser, det/rinse aid, w/read switch
9*	154388801	A B C	Cap, Rinse aid
9*	154719301	A B C	Shield, dispenser assy
10	154103702	A B C	Screw, latch mtg, (2)
12 #	154758101	A B C	Latch Assembly, door
20	154741003	A - -	Door Assembly, w/insulation, black, w/badge
20	154729605	- B -	Door Assembly, w/insulation, stainless, w/badge
20	154741001	- - C	Door Assembly, w/insulation, white, w/badge
20*	154253201	A B C	Insulation, door
21	5304428306	A B C	Screw, door mtg., (2)
49	154576501	A B C	Gasket, door, bottom
51	154320301	A B C	Clamp, drip loop, wire

TUB

Model Index: **A** FGBD2432K (FGBD2432KB0)
 B FGBD2432K (FGBD2432KF0)
 C FGBD2432K (FGBD2432KW0)

POS. NO	PART NO.		DESCRIPTION
1	154729401	A B C	Tub assy, w/frame parts, white, DF
*	154685101	A B C	Gasket, tub, corner, (2)
2	154544601	A B C	Strike, door
3 #	154561001	A B C	Gasket, tub
4	154200602	A B C	Screw, 10-16 x 3/8, hex
5	5304456938	A B C	Roller, tub, grey, (8), w/screw+washer
6	5303943103	A B C	Screw, w/washer, (8)
22	154446002	A B C	Tubing, water inlet
23	5303318539	A B C	Clamp, tubing, (2)
24 #	154753201	A B C	Hose, drain
*	154380601	A B C	Clamp, hose, 1.5" open, worm gear, (5)
25 #	154209701	A B C	Float
28	154408701	A B C	Switch Assy, float
29 #	154290204	A B C	Thermostat, re-settable
30	154241101	A B C	Retainer, thermostat
30*	154297701	A B C	Screw, retainer-thermo
*	154456901	A B C	Insulation, blanket
*	5300807270	A B C	Screw, (2), countertop mtg.
*	154041001	A B C	Screw, plask #1, 10-10 x 9/16
*	154200601	A B C	Screw, #10-16 x 3/8
*	154200701	A B C	Screw, #10-32 x 3/8

MOTOR & PUMP

Model Index: A FGBD2432K (FGBD2432KB0)
 B FGBD2432K (FGBD2432KF0)
 C FGBD2432K (FGBD2432KW0)

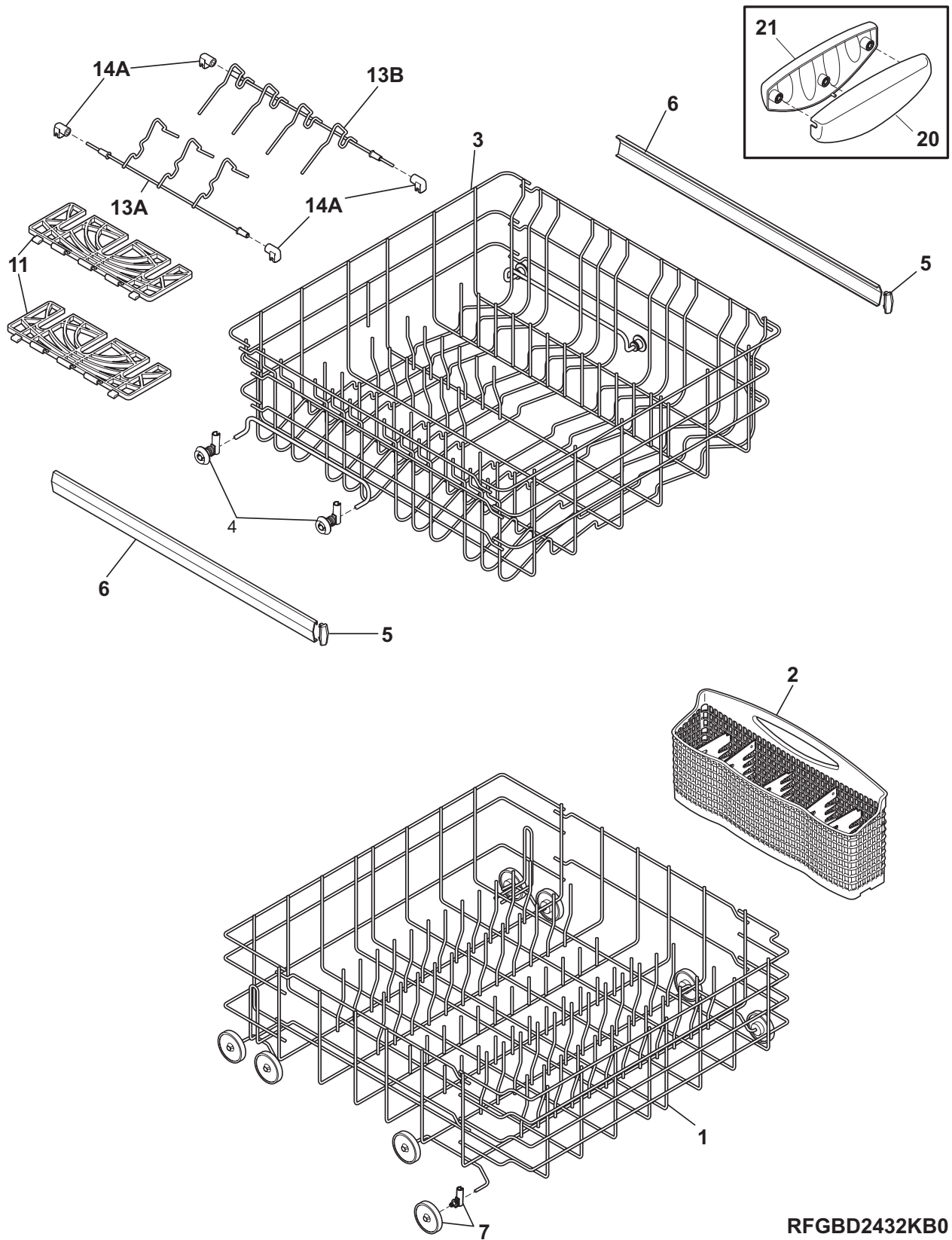
POS. NO	PART NO.		DESCRIPTION
1 #	154663801	A B C	Heater, round
1*	154106202	A B C	Nut, heater, (2)
1*	154289801	A B C	Shield, heater terminal
2	154465101	A B C	Bracket, heater, (2)
10	154724001	A B C	Cover, volute
13	154246801	A B C	Gasket, sump
14	154723801	A B C	Sump Assembly
16	154246502	A B C	Retainer, sump
24	154568002	A B C	Spray arm, grey, lower, w/heat shield
24A	154468502	A B C	Spray arm, grey, center
24B	154698902	A B C	Spray arm, assembly, 3rd level
32	154464101	A B C	Tube, delivery
32*	154106801	A B C	Clamp, hose, 1.29" open, worm gear, (2)
32*	154491101	A B C	Screw, delivery tube
32A	154406401	A B C	Gasket, delivery tube
55	154595901	A B C	Bracket, motor
55*	5303316032	A B C	Screw, truss ss, 8 .625, (7)
58	154246402	A B C	Check ball
59	154246901	A B C	O-ring, rear
59A	154247001	A B C	O-ring, front
60 #	154736201	A B C	Pump Assembly, drain, w/seal-impeller
60*	154617301	A B C	Flapper, valve, drain pump
60*	154741501	A B C	Screw, drain motor mtg, (3)
61	154463402	A B C	Grommet, delivery tube
62	154294102	A B C	Support, spray arm, grey, lower
63	154758901	A B C	Base, soil director
64	154252302	A B C	Filter, soil director, grey
65	154283005	A B C	Filter Assy, grey
66	154252702	A B C	Trap, glass, grey
70 #	154594201	A B C	Motor & Pump Assy
71 #	154762601	A B C	Sensor, turbidity, snap-in, w/seal
*	154200601	A B C	Screw, #10-16 x 3/8
*	154297701	A B C	Screw, retainer-thermo

FRAME

Model Index: **A** FGBD2432K (FGBD2432KB0)
 B FGBD2432K (FGBD2432KF0)
 C FGBD2432K (FGBD2432KW0)

POS. NO	PART NO.		DESCRIPTION
3 #	154637401	A B C	Valve, water
4	154669301	A B C	Brace, front frame
8	154589403	A B -	Toeplate, adjustable, black
8	154589401	- - C	Toeplate, adjustable, white
9	154589503	A B -	Kickplate Assy, black
9	154589501	- - C	Kickplate Assy, white
10	5300808658	A B -	Screw, #8A x .375", black
10	154371301	- - C	Screw, Phillips head, white
11	154409401	A B C	Screw, ground, #8-18 x .375
11A	154200601	A B C	Screw, #10-16 x 3/8
15	154571101	A B C	Leg, leveling, (4)
20	154758501	A B C	Cover, junction box, w/label
*	154041001	A B C	Screw, plask #1, 10-10 x 9/16

RACKS



RFGBD2432KB0

RACKS

Model Index: A FGBD2432K (FGBD2432KB0)
 B FGBD2432K (FGBD2432KF0)
 C FGBD2432K (FGBD2432KW0)

POS. NO	PART NO.		DESCRIPTION
1	154524504	A B C	Rack assy, lower
2	154556102	A B C	Basket, silverware, grey
3	154319526	A B C	Rack assy, upper
4	154522902	A B C	Wheel & bushing assy, grey, upper rack, (8)
5	5304440996	A B C	Cap, slide, grey, (4)
6	154597801	A B C	Slide, rack, upper, (2)
7	154174503	A B C	Wheel & bracket assy, grey, lower rack, (8)
11	154436104	A B C	Shelf, cup, half width, grey
13A	154740302	A B C	Fence, multi, 3 wire, LH, upper rack
13B	154740402	A B C	Fence, multi, 4 wire, RH, upper rack
14A	154242003	A B C	Bracket, multi fence, grey, upper rack, (4)
14A*	154242102	A B C	Bushing, multi fence, upper rack, (4)
20	154732602	A B C	Handle, pull, front, upper rack
21	154530902	A B C	Handle, pull, grey, rear, upper rack