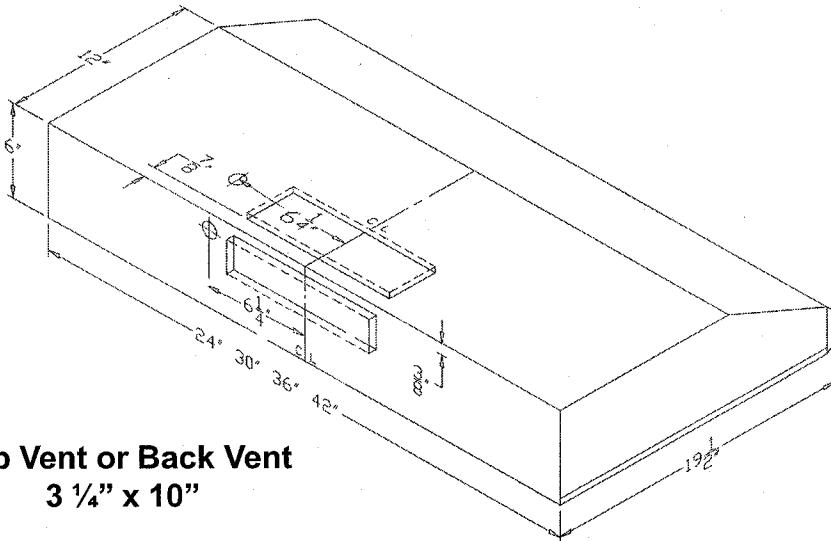


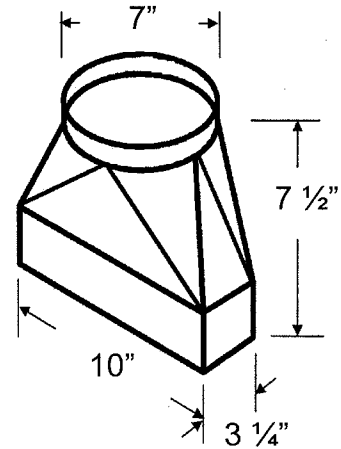
# Vent Hood® UNDER CABINET RANGE HOOD SPECIFICATIONS

SLH6-K Halogen lights only. This model not available with heat lamps. This model only available in Black, Biscuit, Graphite Gray, Stainless Steel, or White. Custom sizes not available.



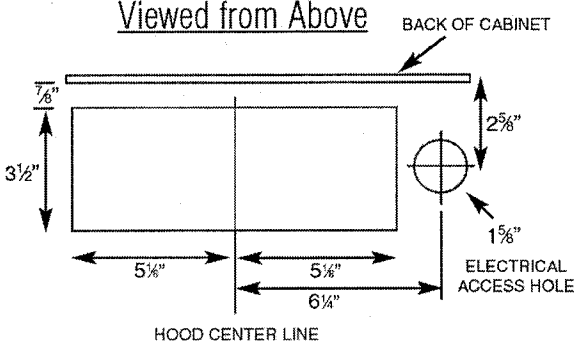
**Top Vent or Back Vent**  
3 1/4" x 10"

The VP521 transition is available for top vent applications at an additional charge.

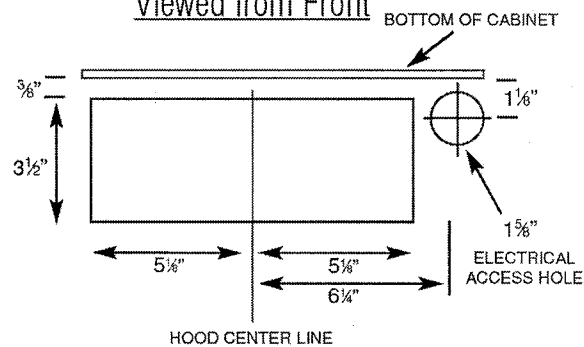


## Blower Outlet Diagrams

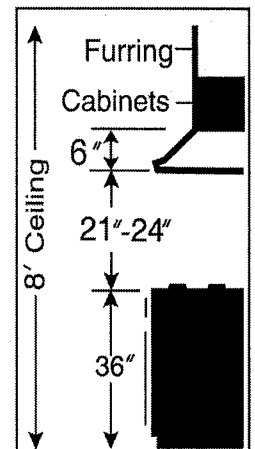
Cabinet Cutout for Vertical Ducting  
Viewed from Above



Wall Cutout for Horizontal Ducting  
Viewed from Front



## Recommended Mounting Height\*



\*Exceeding recommended mounting height may compromise performance.

## Electrical/Mechanical Specifications For K250 Blower

| Application    | Volts | Amps | HZ | RPM  | Equivalent CFM | CFM SP@.0" | CFM SP@.1" | CFM SP@.2" | CFM SP@.3" |
|----------------|-------|------|----|------|----------------|------------|------------|------------|------------|
| Top Vent High  | 115   | 3.2  | 60 | 1550 | 360            | 240        | 225        | 215        | 200        |
| Top Vent Low   | 115   | 3.2  | 60 | 1200 | 255            | 170        | 170        | 160        | 155        |
| Back Vent High | 115   | 3.2  | 60 | 1550 | 330            | 220        | 215        | 195        | 180        |
| Back Vent Low  | 115   | 3.2  | 60 | 1200 | 265            | 175        | 170        | 160        | 145        |

Hood is equipped with halogen lights- 24, 30", and 36" 2 lights, 42" 3 lights. Equivalent CFM refers to the fact that the K Series blower uses a centrifugal filtration unit, whereas others use conventional filters. Apply this guideline when comparing blower units made by other manufacturers.

SPECIFICATIONS SUBJECT TO CHANGE WITHOUT NOTICE Rev. 02/07