



# COOKING

## Professional Custom Series Freestanding Dual Fuel Self-Clean 30"W. Sealed Burner Range

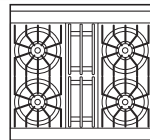


### Standard Features & Accessories

#### All models include

- **Exclusive** VSH™ (Vari-Simmer to High) Patented Sealed Burner System
  - **Exclusive** – most powerful sealed burners in the industry
  - Four 15,000 BTU burners
- **Exclusive** VariSimmer™ setting for all burners
- **Exclusive** all burners equipped with SureSpark™ Ignition System for consistent and reliable ignition every time
- **Exclusive** one piece tooled and porcelainized cooking surface for easy clean up
- **Exclusive** – largest self-clean oven cavity in the industry
  - Overall capacity—4.7 cu. ft. (25-5/16"W. x 16-1/2"H. x 19-1/2"D.)
  - AHAM Standard oven capacity—4.1 cu. ft. (25-5/16"W. x 16-1/2"H. x 16-13/16"D.)
- **Exclusive** patent-pending Vari-Speed Dual Flow™ convection system has the largest convection fan in the industry; the 8 1/2" fan works bi-directionally for maximum airflow and excellent cooking results
- Concealed 10-pass dual bake element provides precise temperature control
- Extra large Gourmet Glo™ glass enclosed infrared broiler provides superior broiling performance
- Rapid Ready™ Preheat provides one of the fastest preheat times – so your oven is ready to begin cooking when you are
- Oven has six porcelain coated rack supports and comes standard with one TruGlide™ full extension oven rack and two standard oven racks
- Three strategically located oven lights provide maximum visibility
- Heavy-duty broiler pan and tray with rack provide more roasting and broiling options
- High performance cooking modes include Bake, Convection Bake, TruConvec™ convection cooking, Convection Roast, Hi, Medium, and Low Broil, and Convection Broil
- Concealed 10-pass dual bake element makes for easy clean up of the oven cavity

### Model Options



**VDSC530-4B**  
**30"W. Four-Burner Range**

#### FINISH DETAILS FOR ALL MODELS

- Stainless Steel (SS), Black (BK), White (WH), Metallic Silver (MS), Graphite Gray (GG), Stone Gray (SG), Taupe (TP), Biscuit (BT), Cotton White (CW), Oyster Gray (OG), Golden Mist (GM), Lemonade (LE), Sage (SA), Mint Julep (MJ), Sea Glass (SE), Iridescent Blue (IB), Viking Blue (VB), Pumpkin (PM), Racing Red (RR), Apple Red (AR), Burgundy (BU), Plum (PL), Chocolate (CH), and Cobalt Blue (CB).
  - Finish designates door front, lower front panel, and side panels.
- White (WH)
  - Finish designates door front, lower front panel, side panels, porcelain grate supports/burner bowls, porcelain center worktop, and knobs/switches.
  - Has black porcelain grates and black porcelain burner caps.
- All finishes have stainless steel handle/chrome-plated brackets and stainless steel drip tray pull, control panel, and landing ledge.
- Brass Trim Option (BR)—nameplate, window trim, handle, drip tray pull, knob bezels, thermal-convection switch bezel, and grate support side trim. Brass components have a durable protective coating for maintenance-free normal use.

\*Shown throughout with 8"H. backguard. See **Installation Notes & Accessories** for details.

#### ORDERING INSTRUCTIONS

First specify model number, and then color code (VDSC530-4BSS). If ordering optional brass trim, specify code at end (VDSC530-4BSSBR). If ordering optional LP conversion, specify code at end (VDSC530-4BSSBRLP).





# COOKING

## Professional Custom Series Freestanding Dual Fuel Self-Clean 30"W. Sealed Burner Range



★ Please see **Installation Notes & Accessories** for important installation information including backguard, high-shelf, island trim, and curb base front.



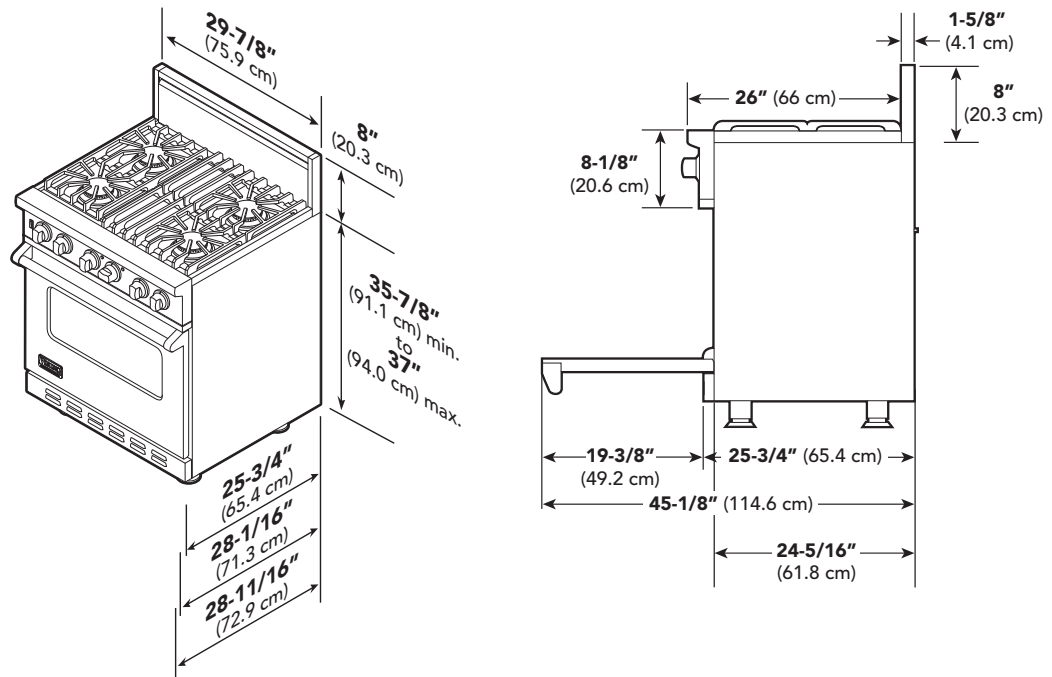
**Star-K Kosher Certification for use on the Jewish Sabbath or Jewish holidays**

### Dimensions & Specifications

#### PRODUCT DIMENSIONS & DOOR SWING



**VDSC530-4B**  
30"W. Four-Burner Range



<b>VDSC530-4B</b>	
Overall width	<b>29-7/8" (75.9 cm)</b>
Overall height	
Base height	
To top of grate support	<b>35-7/8" (91.1 cm) min. to 37" (94.0 cm) max.</b>
Legs adjust (with "spindles" fully extended)	<b>1-1/8" (2.9 cm)</b>
Additions to base height	
To top of island trim	<b>Add 1-1/4" (3.2 cm)</b>
To top of 8" backguard	<b>Add 8" (20.3 cm)</b>
To top of high shelf	<b>Add 23-1/2" (59.7 cm)</b>
Overall depth (from rear)	
To end of side panel	<b>24-5/16" (61.8 cm)</b>
To front of door	<b>25-3/4" (65.4 cm)</b>
To end of landing ledge	<b>28-1/16" (71.3 cm)</b>
To end of door handle	<b>28-11/16" (72.9 cm)</b>
Oven	
Interior width	<b>25-5/16" (64.6 cm)</b>
Interior height	<b>16-1/2" (41.9 cm)</b>
Interior depth	<b>16-13/16" (42.7 cm)</b>
Overall interior size	<b>4.1 cu. ft.</b>





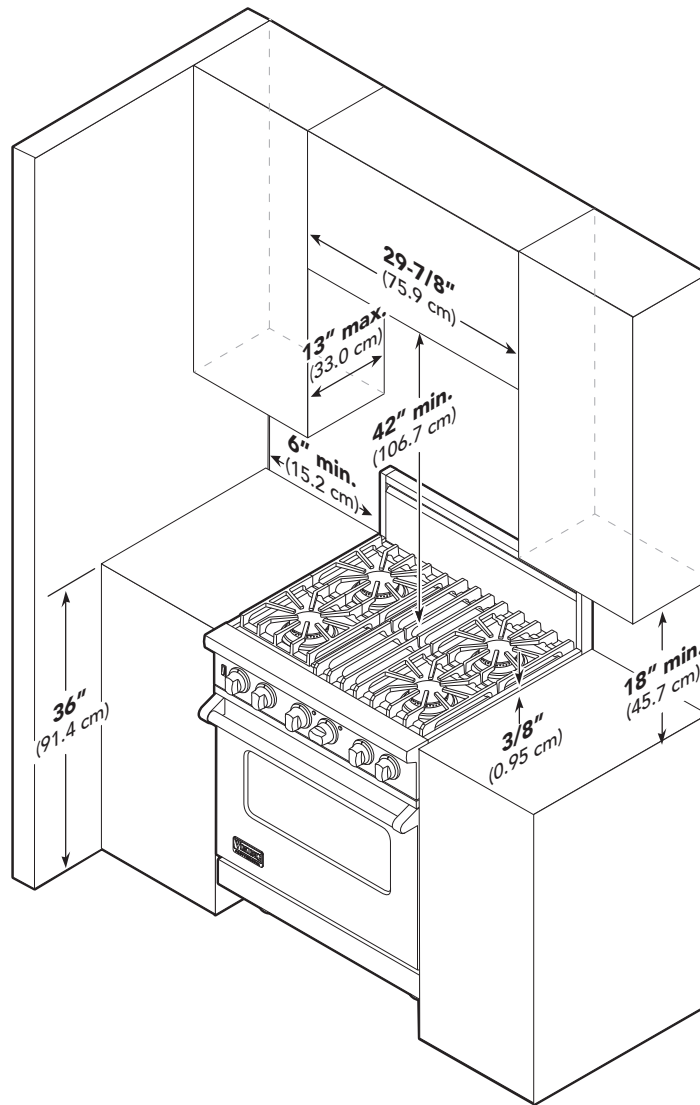
# COOKING

## Professional Custom Series Freestanding Dual Fuel Self-Clean 30"W. Sealed Burner Range



### Dimensions & Specifications

#### CLEARANCE DIMENSIONS



#### Minimum clearances from adjacent combustible construction

- Below cooking surface (36" [91.4 cm] and below)
  - o Sides—0"
  - o Top grate support - 36" (91.4 cm)
- Above cooking surface (above 36" [91.4 cm])
  - o Sides—6" (15.2 cm)
  - o Within 6" (15.2 cm) side clearance, wall cabinets no deeper than 13" (33.0 cm) must be minimum 18" (45.7 cm) above cooking surface
  - o Wall cabinets directly above product must be a minimum of 42" (106.7 cm) above cooking surface
  - o Rear—0" with 8" backguard or high shelf; 0" with island trim and non-combustible rear wall;

o 6" (15.2 cm) with island trim and combustible rear wall

1. This range may be installed directly adjacent to existing 36" (91.4 cm) high base cabinets. **Important:** The top grate support **must** be 3/8" (0.95 cm) above the adjacent base cabinet countertop. This may be accomplished by raising the unit using the adjustment spindles on the legs.
2. The range **cannot** be installed directly adjacent to sidewalls, tall cabinets, tall appliances, or other side vertical surfaces above 36" (91.4 cm) high. There must be a minimum of 6" (15.2 cm) side clearance from the range to such combustible surfaces above the 36" (91.4 cm) counter height.

3. Within the 6" (15.2 cm) side clearance to combustible vertical surfaces above 36" (91.4 cm), the maximum wall cabinet depth must be 13" (33.0 cm) and wall cabinets within this 6" (15.2 cm) side clearance must be 18" (45.7 cm) above the 36" (91.4 cm) high countertop.
4. Wall cabinets above the range must be a minimum of 36" (91.4 cm) above the range cooking surface for the full width of the range. This minimum height requirement does not apply if a rangehood is installed over the cooking surface.





# COOKING

## Professional Custom Series Freestanding Dual Fuel Self-Clean 30"W. Sealed Burner Range



### Installation Requirements

#### ACCESS REQUIREMENTS

### UTILITY REQUIREMENTS



#### GAS

- Shipped natural gas standard; field convert to LP/propane with optional accessory kit or order as LP by adding LP after color code
- Gas manifold pressure
  - Natural gas 5.0" W.C.P.
  - LP/Propane 10.0" W.C.P.



#### ELECTRICAL

- 240-208 VAC, 60 Hz electrical connection box on product, connect with locally supplied 3-wire, flexible

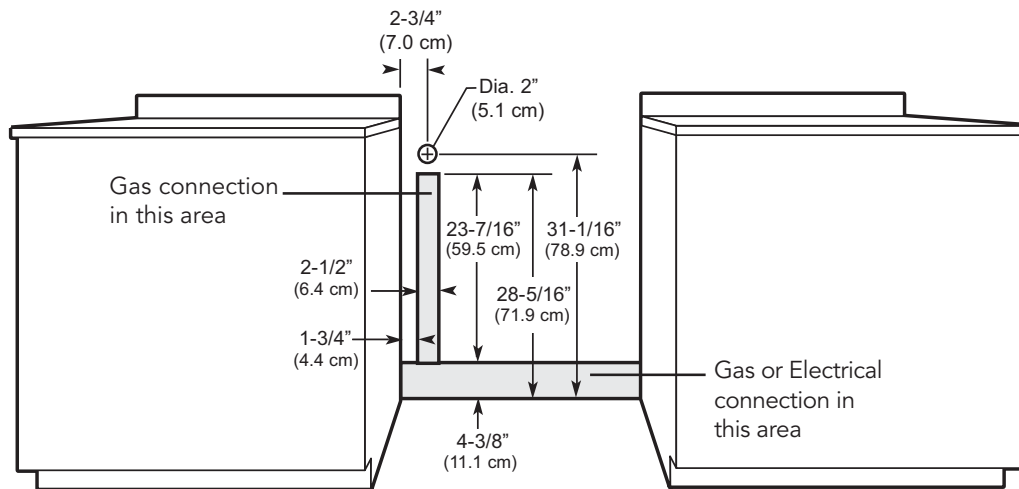
cord or "pigtail" rated 40 amp 125-250 VAC minimum. Cord must be agency approved for use with household electric ranges.

- Maximum amp usage—
  - 240 - 208/120 VAC/60 Hz
  - 4B
    - 240V—6098 watts; 25.4 amps
    - 208V—4757 watts; 22.9 amps



#### PLUMBING

Not applicable



### VVSC530-4B

#### Surface burner rating

Left front grated burner	15,000 BTU Nat. (4.4 kW)/13,500 BTU LP (4.0 kW)
Left rear grated burner	15,000 BTU Nat. (4.4 kW)/13,500 BTU LP (4.0 kW)
Right front grated burner	15,000 BTU Nat. (4.4 kW)/13,500 BTU LP (4.0 kW)
Right rear grated burner	15,000 BTU Nat. (4.4 kW)/13,500 BTU LP (4.0 kW)





# COOKING

## Professional Custom Series Freestanding Dual Fuel Self-Clean 30"W. Sealed Burner Range



### ✦ Installation Notes & Accessories

A backguard, high-shelf, or island trim must be used for all installations.

#### 8"H. Backguard

- Stainless Steel (SS)
- Coordinates with all finishes
- Included (and shipped) automatically with 30"W. ranges

Model	Description	Approx. ship wt. lbs. (kg)
P30BG8	30"W. backguard	14 (6.3)

#### High-shelf

- Stainless Steel (SS)
- Coordinates with all finishes
- Shelf comes attached to a 24"H. backguard

Model	Description	Approx. ship wt. lbs. (kg)
B30HS24	30"W. high-shelf	45 (20.3)

#### Island Trim

- Stainless Steel (SS)
- Coordinates with all finishes
- For island/peninsula installation
- Can replace backguard if wall is non-combustible

Model	Description	Approx. ship wt. lbs. (kg)
P30TII	30"W. island trim	10 (4.5)

#### Countertop Side Trim

- Stainless Steel (SS)
- Coordinates with all finishes
- One pair of trim
- Installs on side of unit; overlaps countertop

Model	Description	Approx. ship wt. lbs. (kg)
P24CST	Side trim	2 (0.9)

#### Curb Base Front

- Stainless Steel (SS)
- Coordinates with all finishes
- Front only
- Conceals range legs
- Completely assembled
- Easily clips onto range legs after range is installed

#### Custom Curb Base Front

- Remove stainless steel front and recycle
- Attach locally supplied trim
- Conceals range legs
- Completely assembled
- Easily clips onto range legs after range is installed
- Provides drop-in range look

Model	Description	Approx. ship wt. lbs. (kg)
P30CBF4	30"W. curb base front	9 (4.1)





# COOKING

## Professional Custom Series Freestanding Dual Fuel Self-Clean 30"W. Sealed Burner Range



### ★ Installation Notes & Accessories

#### LP/Propane Conversion Kit

- Allows for field conversion of range from natural gas to LP

Model	Description	Approx. ship wt. lbs. (kg)
LPKPDF	Natural to LP/propane conversion kit	2 (0.9)

### Compliance Information



### WARRANTY INFORMATION\*

- One-year full warranty—complete product
- Ten-year limited warranty—porcelain oven and porcelain inner door panel
- Five-year limited warranty—surface burners, griddle burners, grill burners, and oven burner
- Ninety-day limited warranty—cosmetic parts such as glass, painted, and decorative items

\* For complete warranty see *Use & Care Guide*. Warranty valid on Viking products shipped within the United States and Canada.

