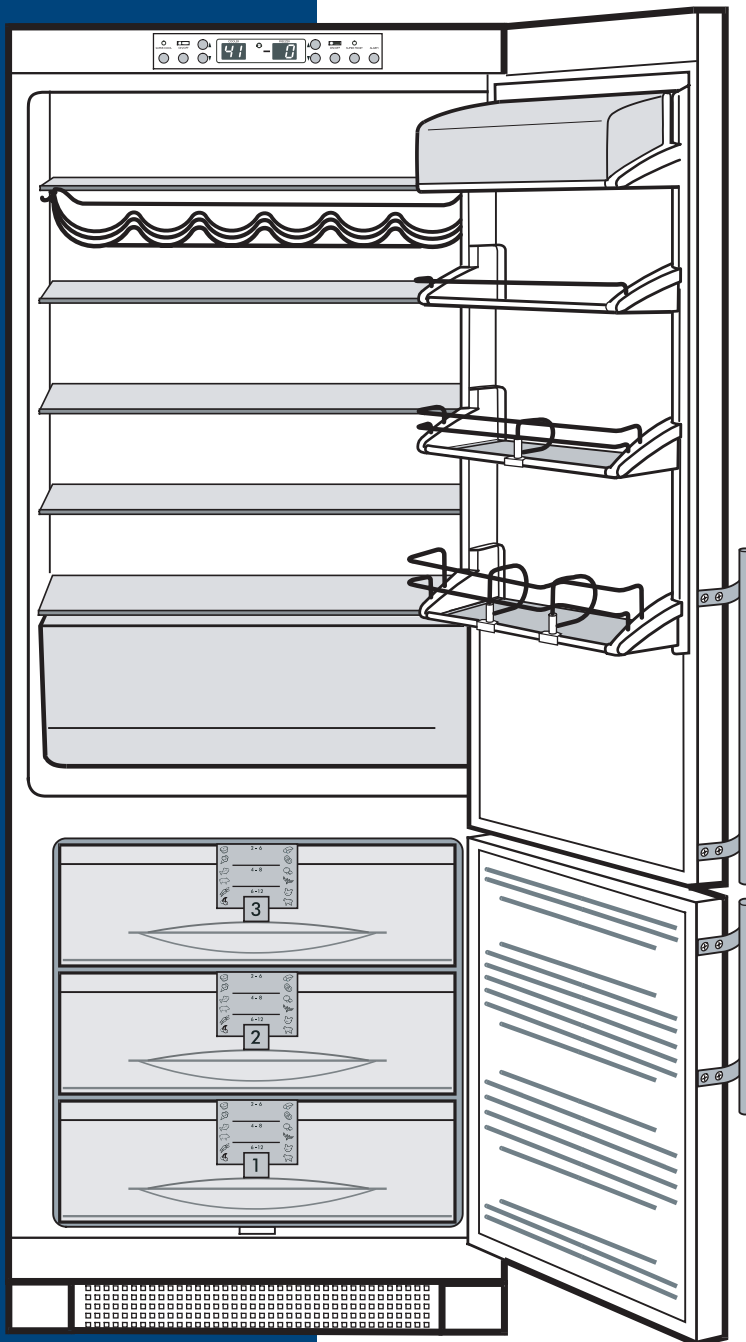


LIEBHERR



Installation Instructions

For Free Standing NoFrost
Combined Refrigerator-Freezers

Parlez-vous français?
French follows English
Habla Español?
Spanish follows French

CS 16
7080 205-00

IMPORTANT

PLEASE READ AND FOLLOW THESE INSTRUCTIONS

These instructions contain Warning and Caution statements. This information is important for safe and efficient installation.

Always read and follow all Warning and Caution statements!

WARNING

States a hazard that may cause serious injury or death if precautions are not followed.

CAUTION

Signals a situation where minor injury of product damage may occur if you do not follow instructions.

IMPORTANT

This highlights information that is especially relevant to a problem-free installation.

Make sure incoming voltage is the same as the unit rating.

To reduce the risk of fire, electric shock, or personal injury, installation work and electrical wiring must be done by a qualified electrician in accordance with all applicable codes and standards, including fire-rated construction.

TO THE INSTALLER

It is very important that the guidelines and instructions are followed in the manual to ensure proper installation and operation of the unit. The Installation Guidelines section contains important information for making sure the installation is correct. Read and understand all the information in Installation Guidelines, and in this manual before the unit is installed.

LIEBHERR

A delight in freshness

CS 16

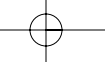
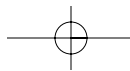
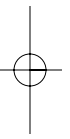
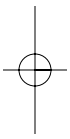


Table of Contents

Contents	Page
Installation Guidelines.....	2
Area Requirements.....	2
Electrical Requirement.....	2
Customer's Responsibility.....	2
Blocking For Safety.....	2
Unit Venting.....	2
Installation.....	3
Dimensions.....	3
Leveling the Refrigerator.....	3
Reversing Door Hinges.....	4
Installing.....	5
Blocking For Safety.....	6
Liebherr Warranty Plan.....	7



INSTALLATION GUIDELINES

Area Requirements

Verify the following:

- Floors can support refrigerator's weight plus approximately 1200 pounds (544 kg) of food weight.
- Finish kitchen floor height is level. Refrigerator must be shimmed to the floor level if the floor heights are not equal to make sure air vents are not obstructed.
- Remove anything attached to rear or side walls that can obstruct refrigerator opening.
- Cutout dimensions are accurate.
- Electrical outlet is in correct location.

Do not install this unit next to any other refrigerator or freezer except another Liebherr model. Liebherr models are designed to allow side by side installation. They are equipped with a heating element to eliminate condensation when units are installed side by side. Installing this unit next to any other refrigerator or freezer can cause condensation or cause damage to the Liebherr unit.

Electrical Requirement

If codes require a separate grounding circuit to be used, have a qualified electrician install the circuit.

⚠ WARNING

Do not ground to a gas pipe. Check with a qualified electrician if you are not sure the appliance is properly grounded. Do not have a fuse in the neutral or grounding circuit.

⚠ WARNING

ELECTRICAL SHOCK HAZARD

- Electrically ground refrigerator.
- Do not use an extension cord.
- Failure to follow these instructions could result in fire or electrical shock.

⚠ WARNING

ELECTROCUTION HAZARD

Electrical Grounding Required. This appliance is equipped with a three-prong (grounding) polarized plug for your protection against possible shock hazards.

- **DO NOT** remove the round grounding prong from the plug.
- **DO NOT** use a two-prong grounding adapter.
- **DO NOT** use an extension cord to connect power to the unit.

Customer's Responsibility

A 115 Volt, 60 Hz, 15 Amp (20 Amp for side-by-side installation) fused electrical supply is required. We recommend using a dedicated circuit for this appliance to prevent electrical overload. Follow the National Electrical Code and local codes and ordinances when installing the receptacle.

Blocking For Safety

The anti-tip brackets must be installed to prevent the unit from tipping after it is installed. Refer to Blocking For Safety.

Unit Venting

DO NOT restrict the air flow. Air flow must be provided for the unit to operate. The factory air vents provide 31 square inches (200 cm²) of air flow. If you are replacing the factory air vents with an overlay, the air flow must be the same or greater than the factory air vents.

LIEBHERR

A delight in freshness

INSTALLATION

CAUTION

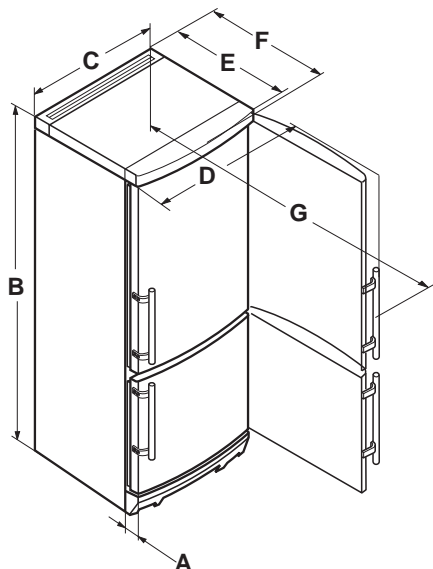
To protect the refrigerator from possible damage, allow the appliance to stand 1/2 to 1 hour in place before turning the electricity on. This allows the refrigerant and system lubrication to reach equilibrium.

Dimensions

Do not install the CS 16 appliance next to another refrigerator or freezer. This is important to prevent condensation and consequential damage from another unit. The **external dimensions** for the CS 16 appliance can be seen in **Figure 1**.

IMPORTANT

If you are replacing the factory air vent with an overlay, **DO NOT** restrict the air flow. The air flow must be the same or greater than the factory air vent of 31 square inches (200 cm²).



- A. 2-1/4" (57.5 mm)
- B. 81-3/32" (2060 mm)
- C. 29-13/32" (747 mm)
- D. 31-3/8" (797 mm)
- E. 23-1/4" (590 mm)
- F. 23-13/16" (605 mm)
- G. 51-25/32" (1315 mm)

Figure 1

Leveling the Refrigerator - Figure 2

1. Loosen the lower air vent screws (Fig. 2, 1).
The height can be adjusted in front by twisting the leveling wheels (Fig. 2, 2).
2. Twist the adjusting bolt (Fig. 2, 3) to set up the back of the refrigerator.
3. Rotate leveling until firmly in place against the floor.
4. Align refrigerator with sides of kitchen cabinets by adjusting leveling wheels and the supports.
5. Install the air vent.

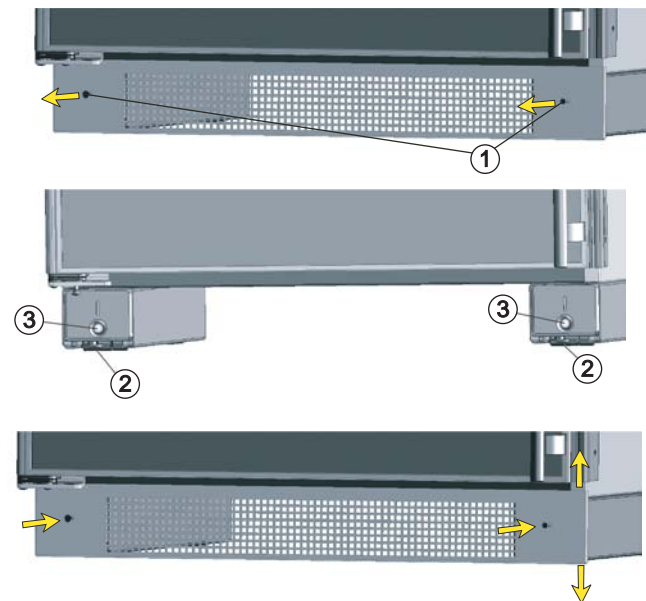


Figure 2

A delight in freshness

INSTALLATION

Reversing Door Hinges - Figure 3

1. Close the doors and unscrew the hinge bracket (Fig. 3, 1). Pull the door out at the bottom and lift off.
2. Unscrew the hinge pin from the hinge bracket (Fig. 3, 1). Screw hinge pin into the adjacent retaining hole.
3. Lift off the cover plate (Fig. 3, 2). Seal the retaining holes on the other side with the cover plate.
4. With the top door closed, unscrew the hinge bracket (Fig. 3, 3). Pull the door out at the bottom and lift off.
5. Mount hinge pin and bushing of the hinge bracket (Fig. 3, 3) in the adjacent retaining hole.
6. Remove the plugs (Fig. 3, 4). Install the plugs on the other side.
7. Rotate the hinge pin (Fig. 3, 5) by 180° and transfer it to the other side.
8. Insert the plug (Fig. 3, 6) in the exposed door mounting.
9. Mount the upper door in the hinge pin (Fig. 3, 5). Close and attach the hinge bracket (Fig. 3, 3).
10. Mount the lower door on the hinge bracket (Fig. 3, 3) and close.
11. Insert the hinge bracket (Fig. 3, 1) in the lower door mounting and screw onto the plinth.
12. Pry out pressure plates (Fig. 3, 7) at the front and slide away.
13. Transfer door handles (Fig. 3, 8) and plugs (Fig. 3, 9) to the other side.
14. Attach pressure plates (Fig. 3, 7).

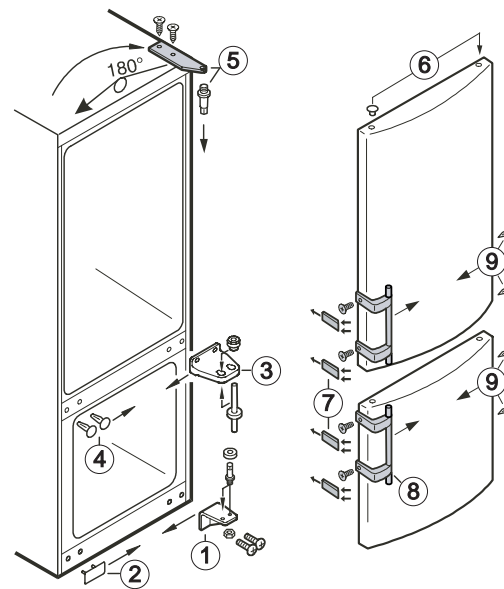
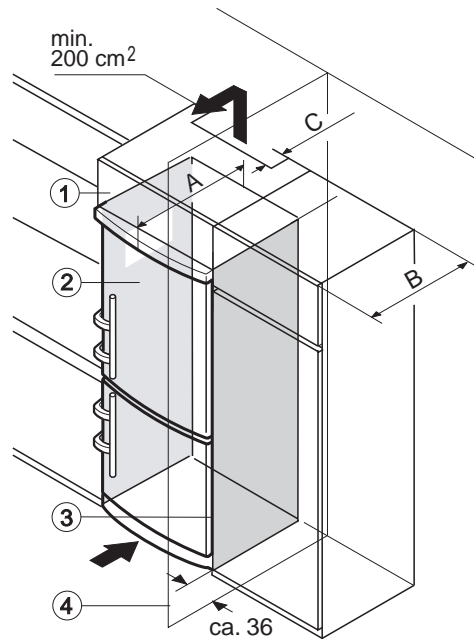


Figure 3

INSTALLATION

Installing - Figure 4



- (1) Top unit
- (2) Refrigerator/freezer
- (3) Kitchen unit side panel
- (4) Wall

- A. 24-13/16" (631 mm)
- B. 2" (51 mm)
- C. 11/32" (10 mm)

Figure 4

The appliance can be installed in a row of kitchen units. To adapt the height of the appliance to the surrounding furniture a top unit (**Fig. 4, 1**) can be added.

A gap of at least 2 inches (51 mm) depth must be provided behind and along the entire width of this unit to ensure sufficient ventilation. The area of ventilation above the unit should be at least 18 square inches (116 cm²). The greater the area the more economically the appliance will run.

1. When installing with standard kitchen units, maximum depth of 22-13/16 inches (580 mm) and decor panels of maximum 1/16 inch (2 mm) thickness, the appliance can be set up right next to the kitchen unit. The door protrudes 1-5/16 inches (34 mm) from the side of the kitchen unit and 2 inches (51 mm) at the front. This enables it to be opened and closed without difficulty.
2. When setting up the appliance next to a wall (**Fig. 4, 4**), a minimum distance of 1-7/16 inches (36 mm) must be provided on the hinge side between the appliance and the wall (for the handle when the door is open).
3. If you wish to attach the appliance to adjacent units or to fit a spacer between the appliance and the wall, please note the following:
 - Verify that the door can open and close properly.
 - **Do not drill any holes in the side walls in Figure 4.** Liebherr refrigerator/freezer combinations are equipped with a heating element to eliminate condensation when units are installed side by side. This element and foamed components can be damaged.

BLOCKING FOR SAFETY

1. Secure the refrigerator in place so it does not tip forward when the fully stocked door is opened.
2. Measure the distance from the floor to the upper edge of the unit.
3. Locate and mark two wall studs against the wall where the refrigerator will be located. The space between the unit top and the bottom of the brackets must not be more than 1/4" (0.635 cm).
4. Make sure the screws extend a minimum of 1" (2.54 cm) into each of the wall studs.
5. Make sure the anti-tip brackets extend at least 3" (7.62 cm) over the unit and are securely in place.

IMPORTANT

The anti-tip brackets can be installed in either direction or closer together. Always position the anti-tip brackets as wide apart as possible, but make sure they are anchored to two studs.

6. Using the front and rear levelers, raise the unit until it makes contact with the brackets. Make sure the front levelers are firmly on the floor to prevent appliance from tipping forward.

IMPORTANT

If your unit is positioned in between the wall studs, a board can be secured to the wall. Make sure the board is secured to the studs with screws that will penetrate into the studs a minimum 1" (2.54 cm). The board should be a minimum of 1" x 6" (2.54 cm x 15.24 cm) and long enough to secure both ends to the wall studs.

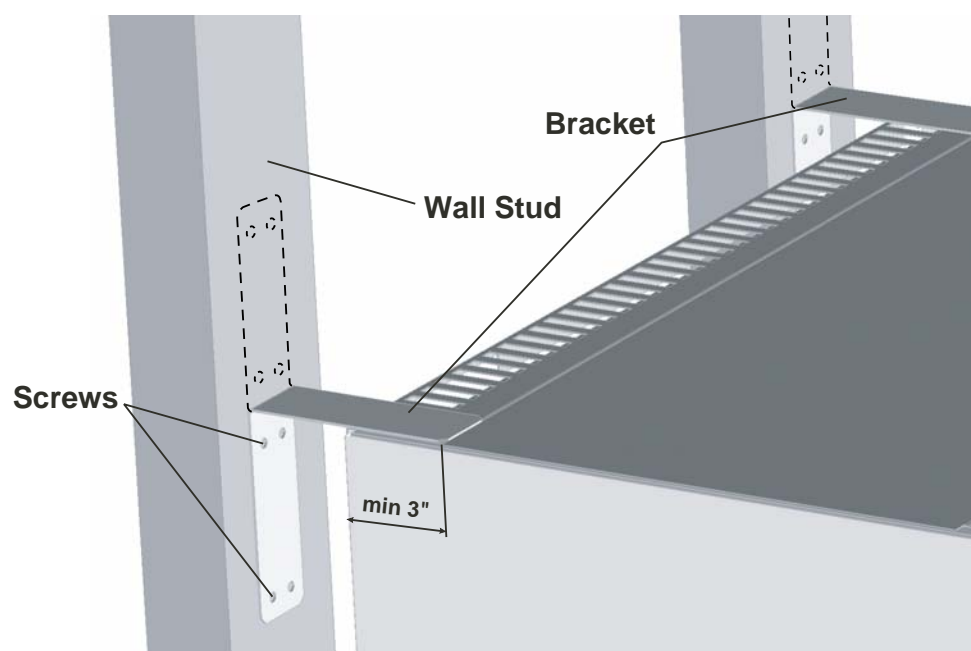


Figure 5

LIEBHERR

A delight in freshness

WARRANTY

LIEBHERR WARRANTY PLAN - FOR U.S. ONLY

FULL TWO YEAR WARRANTY - For two years from the date of original purchase, your Liebherr warranty covers all parts and labor to repair or replace any part of the product which proves to be defective in materials or workmanship.

FULL FIVE YEAR WARRANTY - For five years from the date of original purchase, your Liebherr warranty covers all parts and labor to repair or replace any components that prove to be defective in materials or workmanship in the sealed system. The "Sealed System" means only the compressor, condenser, evaporator, drier and all connecting tubing.

LIMITED 6TH THROUGH 12TH YEAR WARRANTY - From the 6th through 12th year from the date of original purchase, your Liebherr warranty covers all parts that prove to be defective in materials or workmanship in the Sealed System (parts only).

TERMS APPLICABLE TO EACH WARRANTY

All service provided by Liebherr under the warranty must be performed by authorized Liebherr service representatives, unless otherwise specified by Liebherr. Service will be provided in the home during normal business hours. This warranty applies only to products installed for normal residential use. Details regarding a non-residential warranty are available on request.

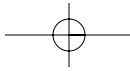
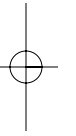
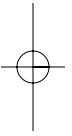
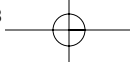
The warranty applies only to products installed in any one of the fifty states of the United States or the District of Columbia. This warranty does not cover any parts or labor to correct any defect caused by negligence, accident or improper use, maintenance, installation, service or repair, including but not limited to improper removal and reinstallation of the condensing unit.

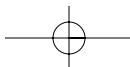
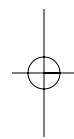
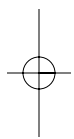
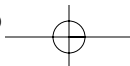
The remedies described above for each warranty are the only ones which Liebherr will provide, either under these warranties or under any warranty arising by operation of law. Liebherr will not be responsible for any consequential or incidental damages arising from the breach of these warranties or any other warranties, whether express, implied or statutory.

Some states do not allow the exclusion or limitation of incidental or consequential damages so the above limitation or exclusion may not apply to you. This warranty gives you specific legal rights and you may also have other rights which vary from state to state.

To receive parts and/or service and the name of the Liebherr authorized service representative nearest you, contact your Liebherr dealer or distributor or contact the Liebherr designated national service provider at Liebherr@adcoservice.com or call 1-866-543-2437.

A delight in freshness





For Service in the U.S.:
Liebherr Service Center

15545 N. 77th Street
Scottsdale, AZ 85260
Phone: (480) 998-0141
Fax: (480) 998-7877

Toll Free: **1-866-543-2437**

E-mail: Liebherr@adcoservice.com

For Service in Canada:
EURO-LINE APPLIANCES

2150 Winston Park Drive - Unit 20
Oakville, Ontario, L6H 5V1
Phone: (905) 829-3980
Fax: (905) 829-3985

Toll Free: **1-800-678-8352**

www.liebherr.com

Part No. 7080 205-00