

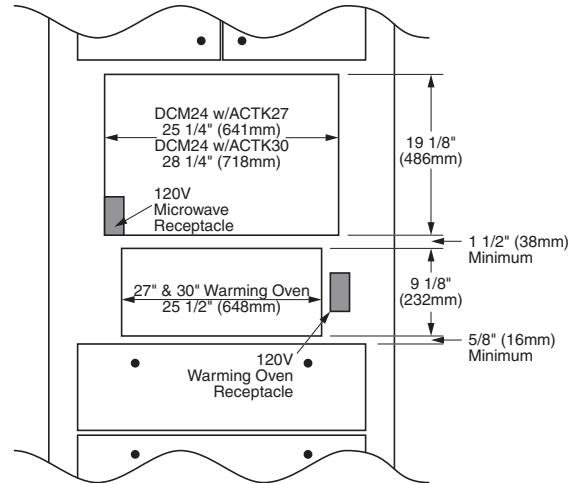
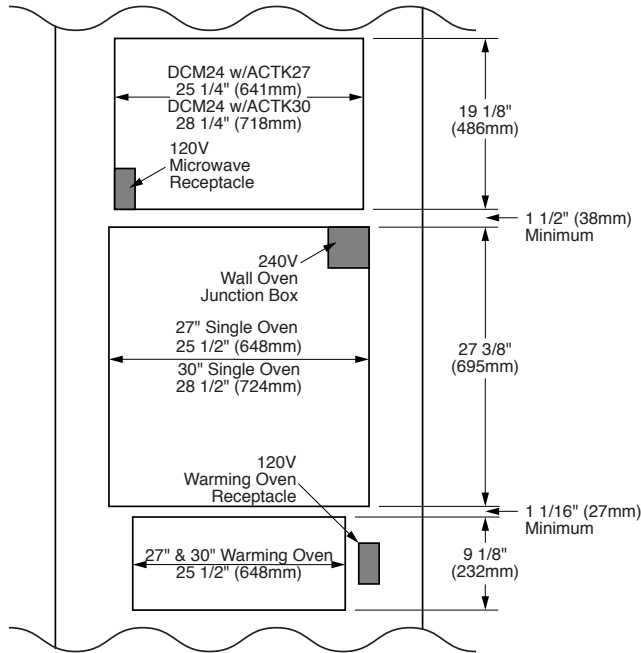


The life of the kitchen™

Microwave Convection Oven Specifications

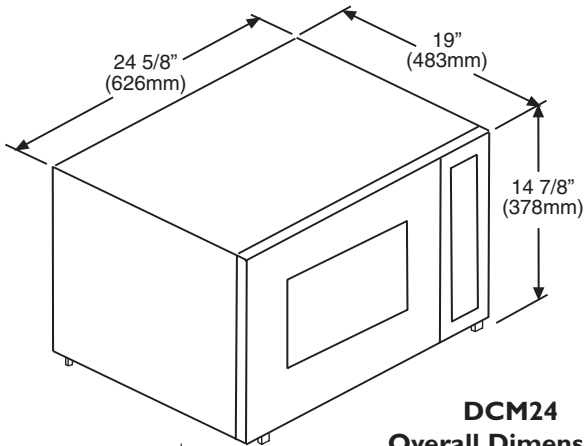
DCM24 - ACTK27/30 - APCTK27/30

P L A N N I N G G U I D E

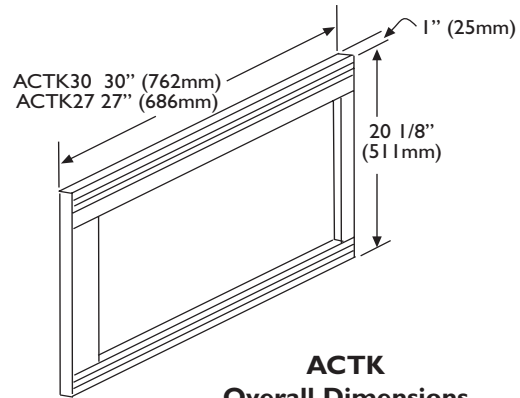


Microwave and Trim Kit with Dacor Warming Oven

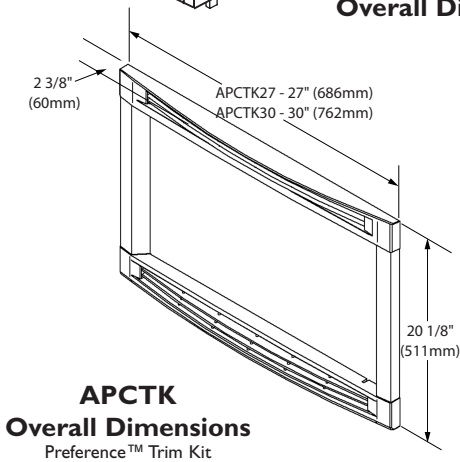
Cutout Dimensions Front View



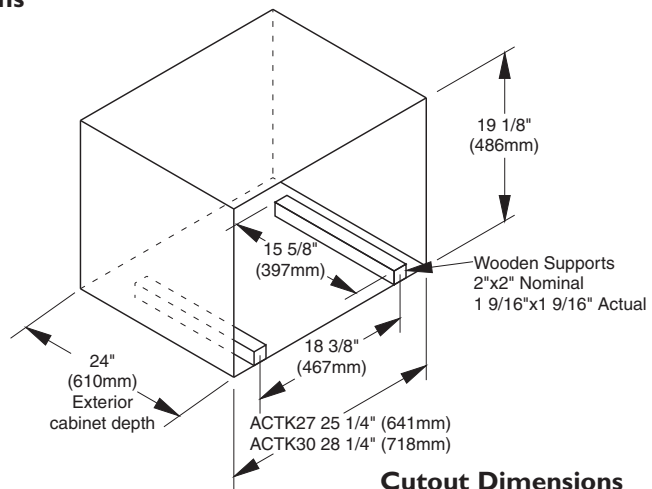
DCM24 Overall Dimensions



ACTK Overall Dimensions
Epicure™ or Millennia™ Trim Kit



APCTK Overall Dimensions
Preference™ Trim Kit



Cutout Dimensions Isometric View

Specifications

Electrical Supply Requirements 120VAC, 60Hz, 15A Dedicated Circuit	Total Connected Load 1.6kW (13A)	Approximate Shipping Weight 60 pounds
---	-------------------------------------	--

Specifications are subject to change without notice.
See installation instructions for additional details.

Dacor®
www.dacor.com
Corporate Phone: 800-793-0093
Planning Faxback: 800-793-0093 ext. 3806