

Frigidaire

Factory Parts Catalog

Product No.	FAC126P1A1	FAC126P1A2	FAC126P1A3
Series	ROOM AIR	ROOM AIR	ROOM AIR
Color	white	white	white
Volts	115	115	115
BTU-Cooling	12,000BTU	12,000BTU	12,000BTU
Owner's Guide	220201d011	220201d011	220201d011
Installation Instructions	COMINSTALLEN	COMINSTALLEN	COMINSTALLEN
Market	North America	North America	North America

 **Electrolux**

Electrolux Major Appliances
 North & Latin America
 P.O. BOX 212378
 AUGUSTA, GA 30917

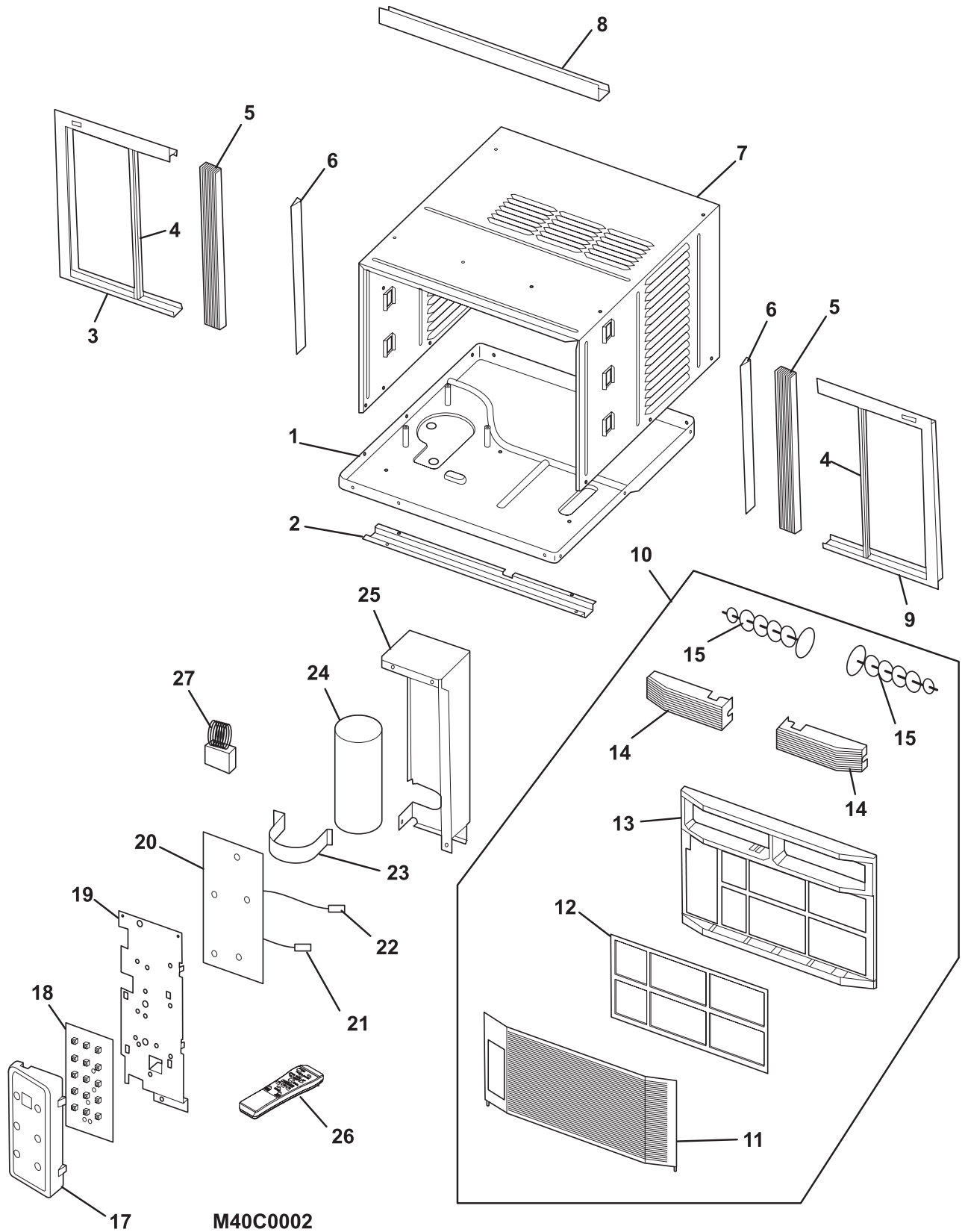
Publication No.
5995437166
 05/05/19
 (EN/SERVICE/WC)
 099

**ROOM AIR
 CONDITIONER**

**Model No.
 FAC126P1**

Copyright © 2005 Electrolux Home Products, Inc.
 All rights reserved.

CABINET, FRONT, CONTROLS

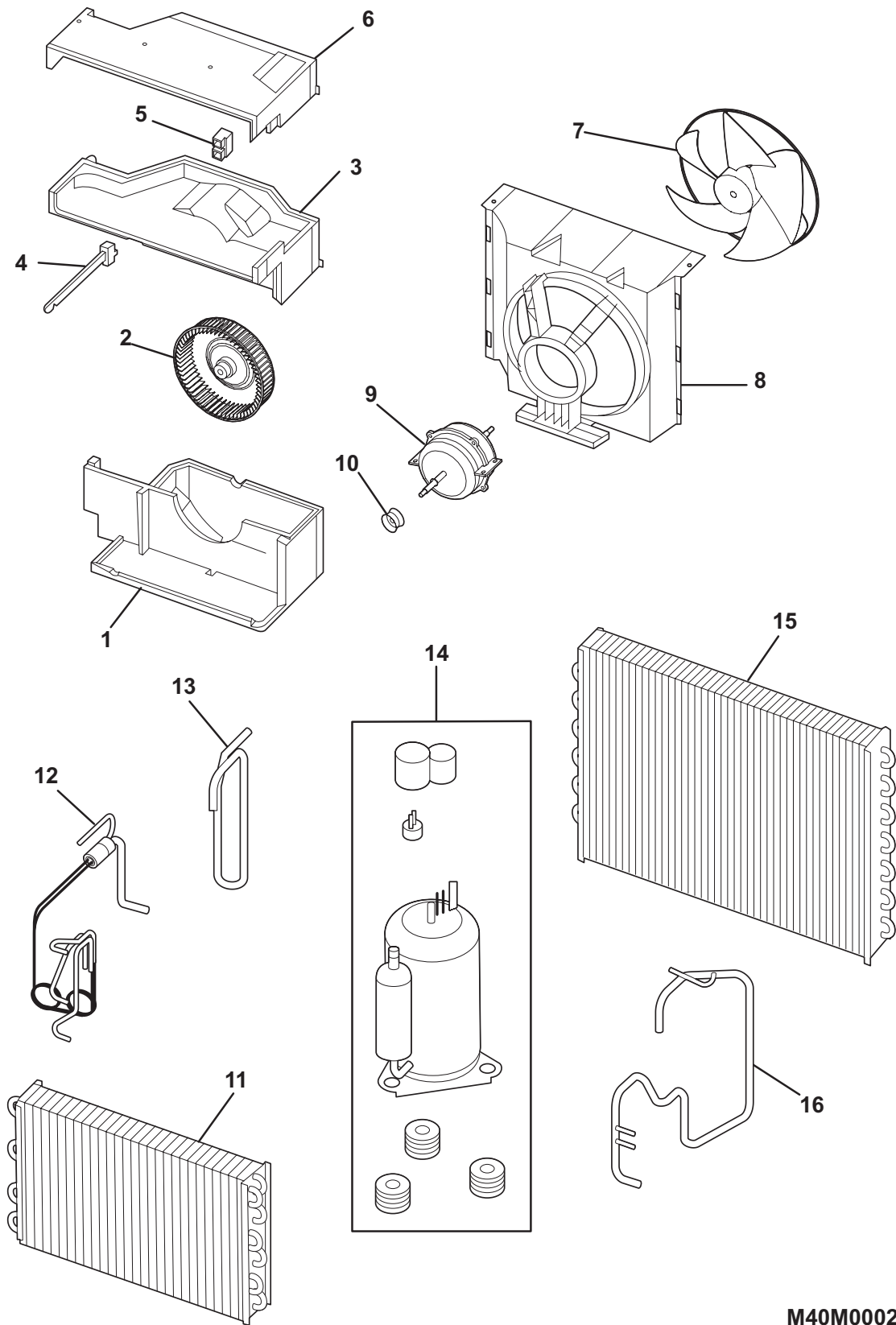


CABINET, FRONT, CONTROLS

Model Index: A FAC126P1A (FAC126P1A1)
 B FAC126P1A (FAC126P1A2)
 C FAC126P1A (FAC126P1A3)

POS. NO	PART NO.		DESCRIPTION
1	5304436521	A B C	Base, unit chassis
2	5304436523	A B C	Rail, shutter track, bottom
3	5304436544	A B C	Frame, shutter panel, LH
4	5304436545	A B C	Retainer, shutter lock
5	5304436546	A B C	Shutter, accordion panel
6	5304436547	A B C	Retainer, shutter mount, cabinet sides
7	5304446442	A B C	Cabinet, wrapper/sleeve
8	5304436549	A B C	Rail, shutter track, top
9	5304436550	A B C	Frame, shutter panel, RH
10	5304436600	A B C	Front Assembly, complete panel, includes
11	5304436551	A B C	Panel, front grille, tilt-out
12	5304436552	A B C	Filter, air, plastic frame
13	5304436553	A B C	Frame, front assembly
14	5304436554	A B C	Louver, horizontal
15	5304446443	A B C	Louver, vertical
17	5304436536	A B C	Enclosure, control, pcb display
17*	5304436538	A B C	Control Panel, display, electronic
18 #	5304436535	A B C	PC Board, display/input
19	5304446441	A B C	Panel, control mounting board
20 #	5304436532	A B C	PC Board, control/power
21 #	5304436543	A B C	Sensor, ambient temp
22 #	5304436542	A B C	Sensor, evap temp, defrost
23	5304436530	A B C	Strap, capacitor mtg.
24 #	5304436525	A B C	Capacitor
25	5304436524	A B C	Control Box
26 #	5304436596	A B C	Remote Control, transmitter
27 #	5304436529	A B C	Ionizer

COOLING & AIR FLOW SYSTEMS



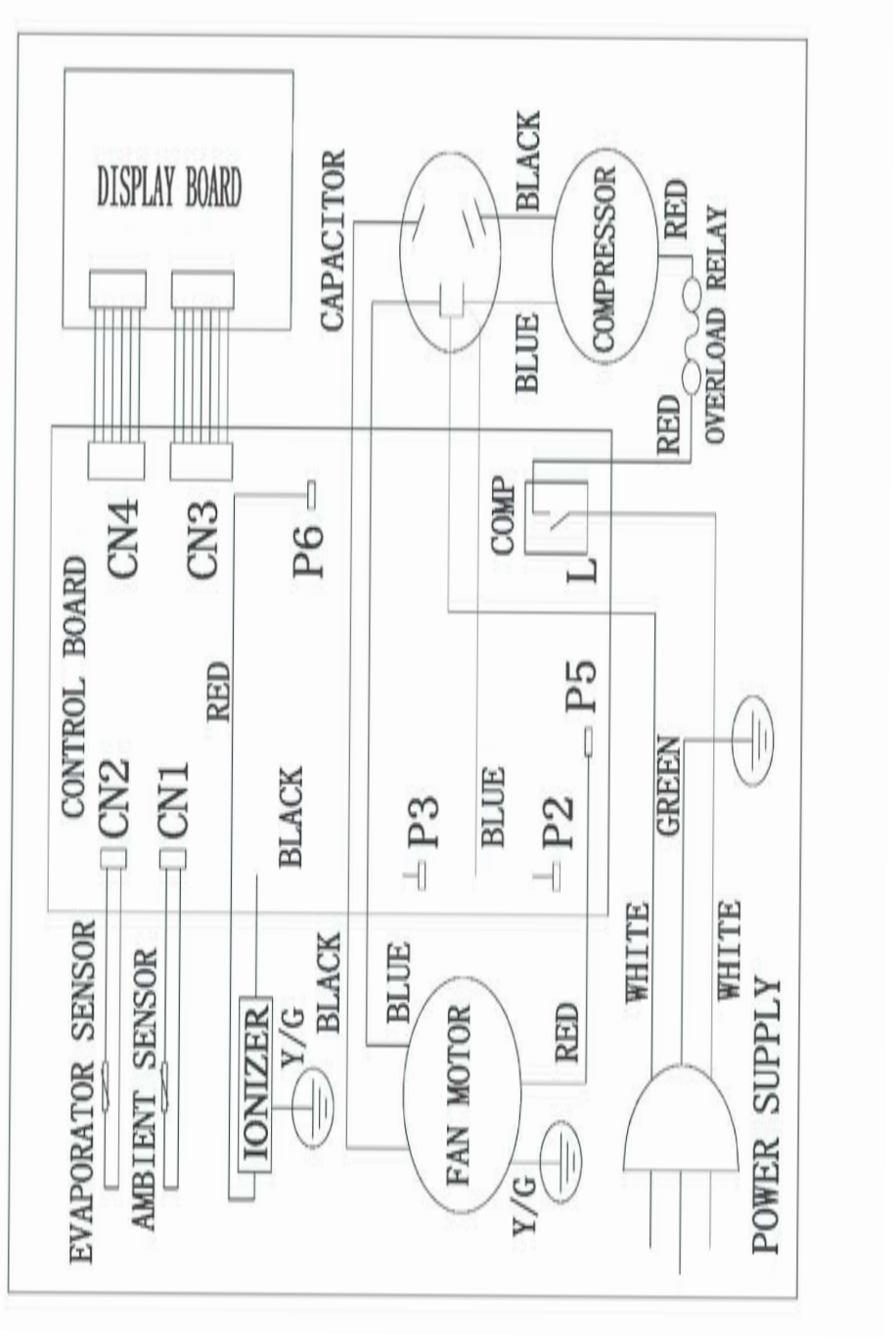
M40M002

COOLING & AIR FLOW SYSTEMS

Model Index: A FAC126P1A (FAC126P1A1)
 B FAC126P1A (FAC126P1A2)
 C FAC126P1A (FAC126P1A3)

POS. NO	PART NO.		DESCRIPTION
1	5304436556	A B C	Scroll, blower housing, bottom, w/drain tray
2 #	5304436557	A B C	Blower Wheel, centrifugal fan
3	5304436559	A B C	Scroll, blower housing, top
4	5304436558	A B C	Door, fresh air vent, with lever
5	5304436564	A B C	Guide, vent door/lever
6	5304436565	A B C	Cover, blower scroll, top
7 #	5304436563	A B C	Fan Blade, propeller, axial flow
8 #	5304436562	A B C	Shroud, fan housing
9 #	5304441406	A - -	Motor, fan
9	5304446455	- B -	Motor, fan
9 #	5304441405	- - C	Motor, fan
10	5304436560	A B C	Seal, fan motor, rubber ring, water proof
11 #	5304436566	A B C	Evaporator
12 #	5304436580	A B C	Capillary Tube, assy w/strainer
13 #	5304436575	A B C	Discharge Tube
14 #	5304437080	A B C	Compressor Assy
15	5304446452	A B C	Condenser
16 #	5304436569	A B C	Suction Tube
* #	5304446449	A B C D E F	Power Cord, electric, 115 V
*	5304458023	A B C D E F	Hardware Kit, installation

WIRING DIAGRAM



2202019158