

Frigidaire

Factory Parts Catalog

Product No.	FRT18S6ABW	FRT18S6AQW	FRT18S6AWW
Series	R134a	R134a	R134a
Color	black	bisque	white
Volts	115	115	115
Wiring Diagram	240398801	240398801	240398801
Owner's Guide	240694400	240694400	240694400
Market	North America	North America	North America
Energy Guide	218791400	218791400	218791400
Service Data Sheet	240379018	240379018	240379018
Installation Instructions	240568301	240568301	240568301

 **Electrolux**

Electrolux Major Appliances
 North & Latin America
 P.O. BOX 212378
 AUGUSTA, GA 30917

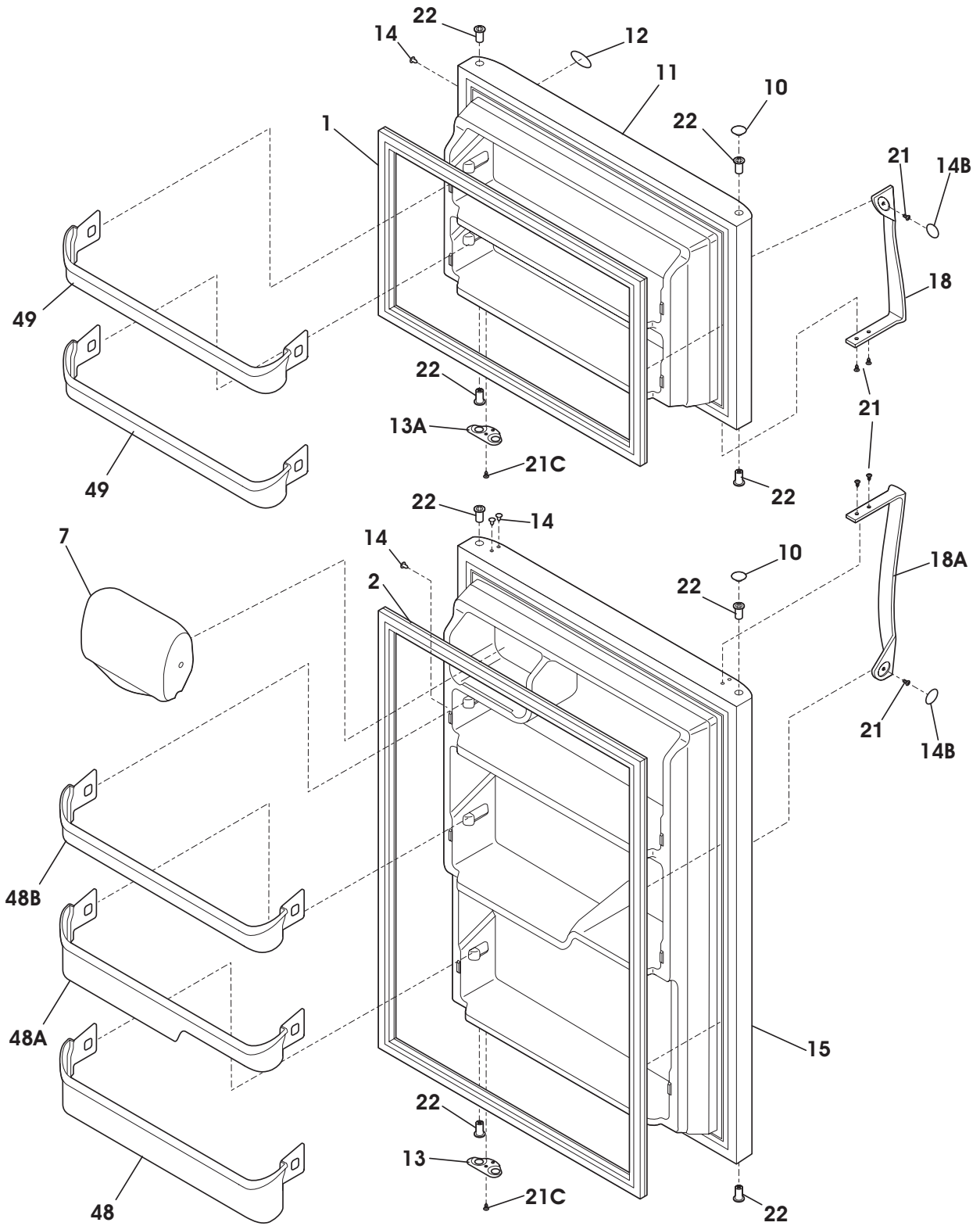
Publication No.
5995470449
 06/07/21
 (EN/SERVICE/DCS)
 390

**TOP-MOUNT
 REFRIGERATOR**

**Model No.
 FRT18S6A**

Copyright © 2006 Electrolux Home Products, Inc.
 All rights reserved.

DOOR



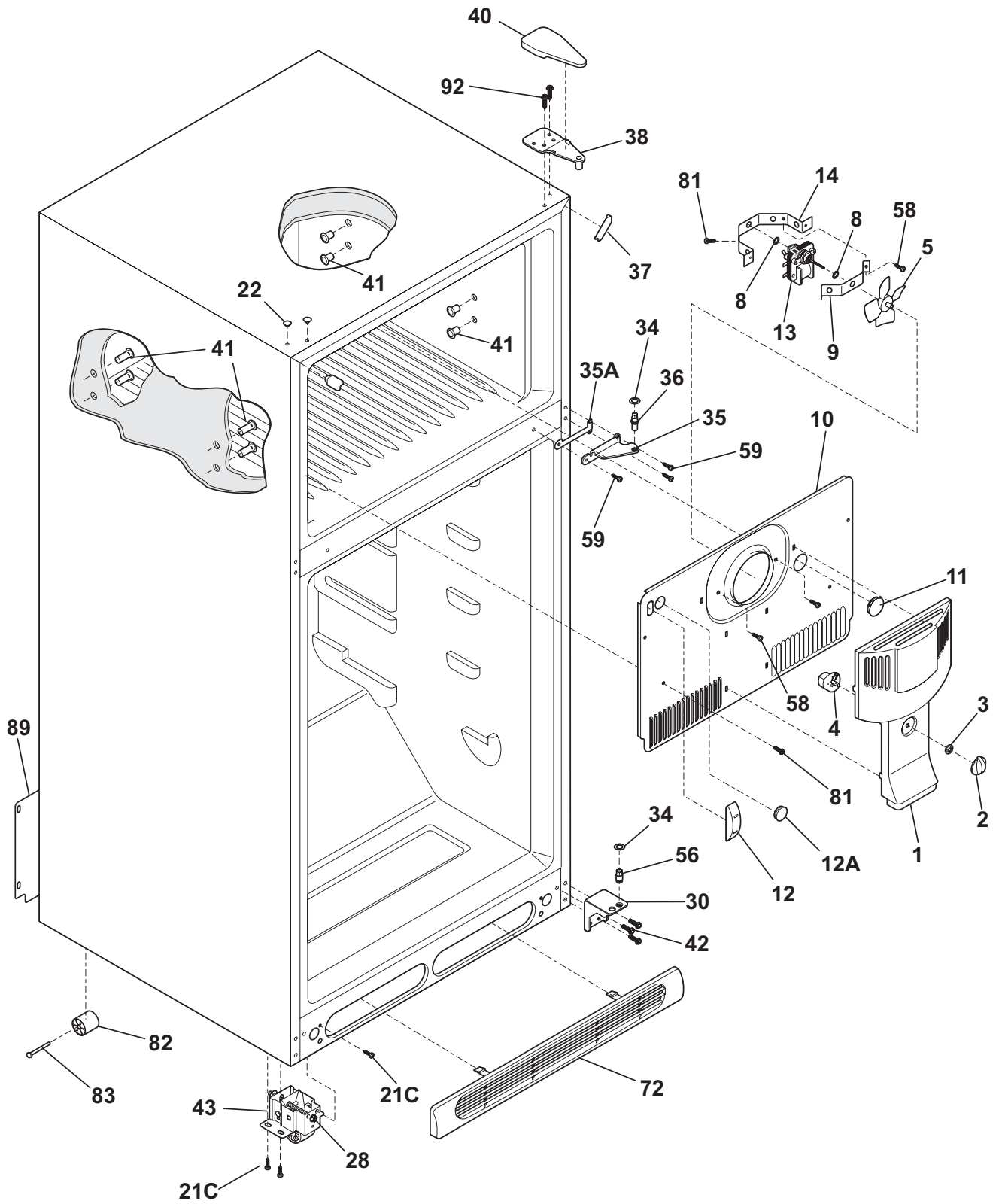
N05DCDBCA1

DOOR

Model Index: A FRT18S6A (FRT18S6ABW)
 B FRT18S6A (FRT18S6AQW)
 C FRT18S6A (FRT18S6AWW)

POS. NO	PART NO.		DESCRIPTION
1	240542121	A - -	Gasket-frzr door, black, magnetic
1	240542115	- B C	Gasket-frzr door, white, magnetic
2	240542124	A - -	Gasket-refr door, black, magnetic
2	240542118	- B C	Gasket-refr door, white, magnetic
7	240337712	A B C	Door-dairy
10	240381303	A - -	Plug-button, black, hinge brg hole
10	240381302	- B -	Plug-button, bisque, hinge brg hole, (2)
10	240381301	- - C	Plug-button, white, hinge brg hole, (2)
11	240409919	A - -	Door, frzr, black
11	240409902	- B -	Door-frzr, bisque, complete assy
11	240409901	- - C	Door-frzr, white, complete assy
12	240416304	A - -	Nameplate, black
12	240416303	- B -	Label-nameplate, bisque
12	240416301	- - C	Label-nameplate, white
13	240312405	A - -	Door Stop, black, refr
13	240312407	- B -	Door Stop, bisque, refr
13	240312403	- - C	Door Stop, white, refr
13A	240312406	A - -	Door Stop, black, frzr
13A	240312408	- B -	Door Stop, bisque, frzr
13A	240312404	- - C	Door Stop, white, frzr
14	240494003	A - -	Plug-button, black
14	240494002	- B -	Plug-button, bisque
14	240494001	- - C	Plug-button, white
14B	240383603	A - -	Plug-button, black, door handle
14B	240383602	- B -	Plug-button, bisque, door handle
14B	240383601	- - C	Plug-button, white, door handle
15	240410125	A - -	Door, refr, black
15	240410002	- B -	Door-refr, bisque, complete assy
15	240410001	- - C	Door-refr, white, complete assy
18	240339203	A - -	Handle-door, black, refr-LH/frzr-RH
18	240339204	- B -	Handle-door, bisque, refr-LH/frzr-RH
18	240339201	- - C	Handle-door, white, refr-LH/frzr-RH
18A	240339208	A - -	Handle-door, black, refr-RH/frzr-LH
18A	240339209	- B -	Handle-door, bisque, refr-RH/frzr-LH
18A	240339206	- - C	Handle-door, white, refr-RH/frzr-LH
21	240383406	A B C	Screw, truss hd quad, #10-16 x .500, zinc
21C	218252201	A B C	Screw, #8 truss hd, 10-32CA x 0.500
22	240527102	A - -	Bearing-hinge, black
22	240527101	- B C	Bearing-hinge, natural color
48	240338101	A B C	Bin-door, pseudo, bottom
48A	240337901	A B C	Bin-door, refr
48B	240338001	A B C	Bin-door, pseudo, gallon, refr
49	240495804	A B C	Bin-door, pseudo, frzr

CABINET



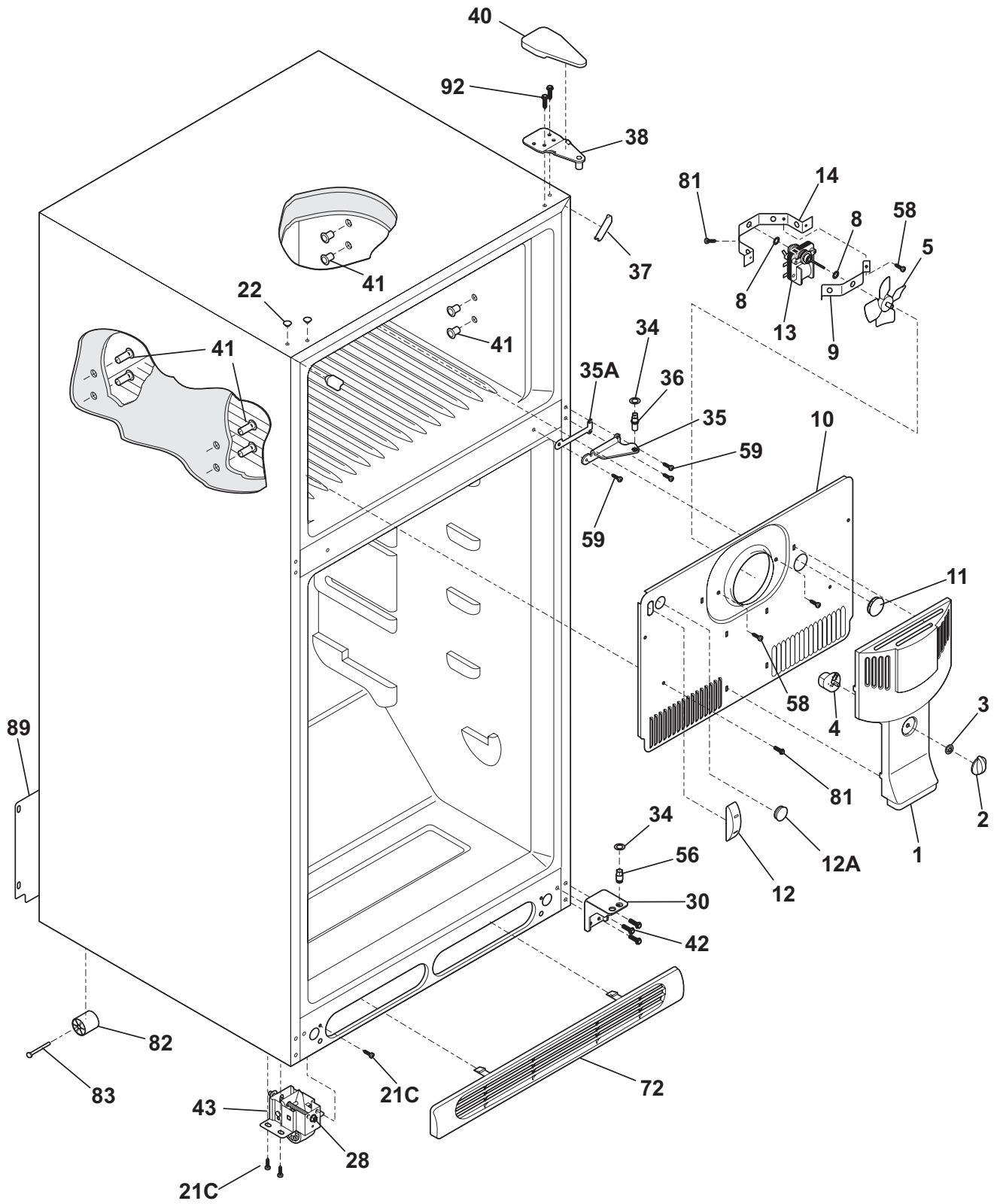
N05BBAABA17

CABINET

Model Index: A FRT18S6A (FRT18S6ABW)
 B FRT18S6A (FRT18S6AQW)
 C FRT18S6A (FRT18S6AWW)

POS. NO	PART NO.		DESCRIPTION
1	241652301	A B C	Cover-fan
2	240367001	A B C	Knob-damper control
3	5303001028	A B C	Nut, push-on
4	241523701	A B C	Damper-fan cover
5 #	5308000010	A B C	Fan Blade, red, evaporator fan
8	5300157666	A B C	Bushing-motor mtg, (2)
9	5303292396	A B C	Bracket-motor mtg, front
10	241652214	A B C	Cover-evap coil
10*	240568601	A B C	Seal-coil cover
10*	241520701	A B C	Harness-wiring, freezer
11	5303208309	A B C	Plug-hole, factory test
12	241557601	A B C	Plug-ice maker harness, rectangular
12A	240374401	A B C	Plug-wtr inlet tube, round, 1"
12A*	241586701	A B C	Plug-foam-wtr-inlet, round
13	240369702	A B C	Motor-evap fan
13*	215474201	A B C	Washer, "slinger", nylon, evap fan shaft
14	5303292397	A B C	Bracket-motor mtg, rear
14*	240433204	A B C	Screw, hex washer head, 8-18 x 5/16
21C	218252201	A B C	Screw, #8 truss hd, 10-32CA x 0.500
22	215774918	A - -	Plug-button, black, upr hinge holes
22	215774919	- B -	Plug-button, bisque, upr hinge holes
22	215774901	- - C	Plug-button, white, upr hinge holes
28	240335502	A B C	Bolt-roller adj, hex washer head, 1/4-20 x 4.020, (2), special
30	240314003	A - -	Bracket-lower hinge, black
30	240314011	- B C	Bracket-lower hinge, zinc
34	240311303	A B C	Washer, hinge, nylon, (2)
35	240313803	A - -	Bracket-ctr hinge, black
35	240313806	- B C	Bracket-ctr hinge, zinc
35A	240336803	A - -	Spacer-hinge, center, black
35A	240336802	- B C	Spacer-hinge, center
36	240516402	A B C	Pin-center hinge
37	241611303	A - -	Trim-cabinet corner, black, (2)
37	241611304	- B -	Trim-cabinet corner, bisque, (2)
37	241611301	- - C	Trim-cabinet corner, white, (2)
38	240313701	A B C	Bracket-upper hinge
40	240354404	A - -	Cover-upper hinge, black
40	240354403	- B -	Cover-upper hinge, bisque
40	240354401	- - C	Cover-upper hinge, white
41	5308009759	A B C	Grommet, shelf mtg, 1.25", LH, (4)
42	240578902	A B C	Screw-hinge mtg, hex head, 1/4-20 x 5/8
43	240335005	A B C	Roller Assy, adjustable, front, (2)
56	240516502	A B C	Pin-lower hinge
58	5304456287	A B C	Screw, hex washer head, 8-15A x 0.500
59	240442707	A - -	Screw-#10-32 X 3/4, black
59	240442706	- B C	Screw-#10-32 X 3/4, zinc
72	240368207	A - -	Grille/Kickplate, black
72	240368206	- B -	Grille/Kickplate, bisque
72	240368205	- - C	Grille/Kickplate, white

CABINET



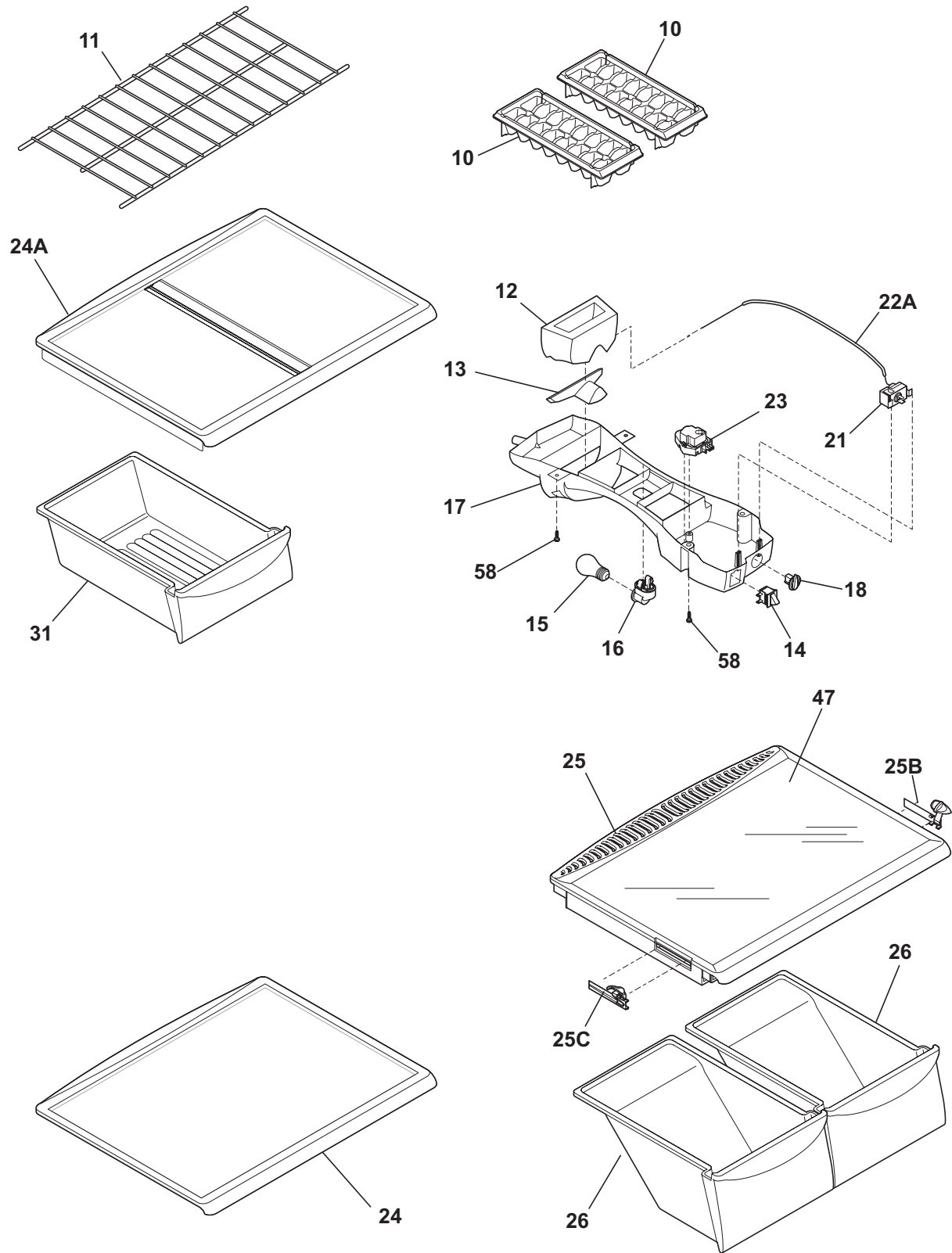
N05BBAABA17

CABINET

Model Index: A FRT18S6A (FRT18S6ABW)
 B FRT18S6A (FRT18S6AQW)
 C FRT18S6A (FRT18S6AWW)

POS. NO	PART NO.		DESCRIPTION
81	5304455650	A B C	Screw, hex washer head, 8-15A x 0.625, low profile
82	5304418225	A B C	Roller, compressor base, rear, (2)
83	5304455655	A B C	Rivet, flat head, 1/4 OD x 1-3/4, roller pin
89	241733907	A B C	Cover-access, with label
89*	241500304	A B C	Screw, hex washer head, 8-18AB x 0.625
92	241710601	A B C	Screw, hex washer hd, 1/4 x 7/8, hinge mtg
*	240479601	A B C	Plug, button, cab liner holes
*	5303321321	A - -	Paint, touch-up, black
*	5304414035	- B -	Paint, touch-up, bisque
*	5303321319	- - C	Paint, touch-up, white

SHELVES



N05SAAAFI19

SHELVES

Model Index: A FRT18S6A (FRT18S6ABW)
 B FRT18S6A (FRT18S6AQW)
 C FRT18S6A (FRT18S6AWW)

POS. NO	PART NO.		DESCRIPTION
10	215667501	A B C	Tray, ice cube, plastic
11	240358005	A B C	Shelf, freezer, full-width, wire
12	241542001	A B C	Diffuser, air, top
13	240362601	A B C	Diffuser, air, bottom
14 #	241554901	A B C	Switch-light/lamp
15	240436702	A B C	Light Bulb/Lamp, A-15, clear, 40 W, 120 V, miniature
16	241559801	A B C	Socket-light
17	240352701	A B C	Control Box
17*	240568607	A B C	Seal
17*#	240388701	A B C	Wiring Harness, control box
18	240360801	A B C	Knob, temp control
21 #	5304421256	A B C	Control, temperature
22A	240468201	A B C	Tube, sensor sleeve, 31 inch, plastic, white
23 #	241621501	A B C	Timer-defrost
23*	5304455649	A B C	Screw-timer mtg, pan hd, 6-20 x 0.438, (2)
24	240358905	A B C	Shelf-"Spill-Safe", sliding
24A	240358906	A B C	Shelf-"Spill-Safe", sliding, w/pan hanger
25	240364714	A B C	Cover-crisper pan
25B	241613501	A B C	Control-humidity, RH
25C	241613502	A B C	Control-humidity, LH
26	240337103	A B C	Pan-crisper, clear, (2), no graphics
31	240530811	A B C	Pan-meat, w/o graphics, clear
47	241711219	A B C	Insert-pan cover, glass
58	5304455650	A B C	Screw, hex washer head, 8-15A x 0.625, low profile

SYSTEM

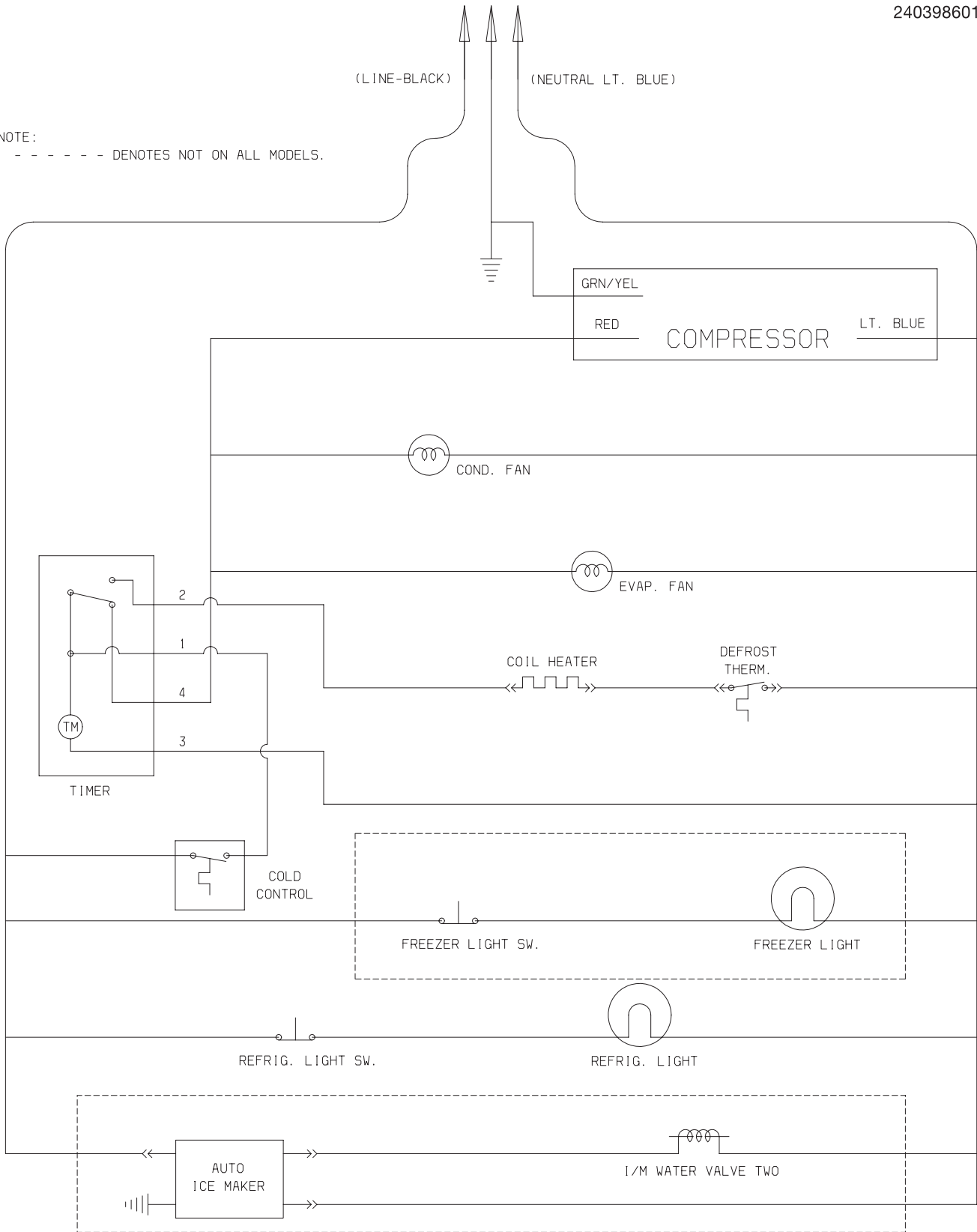
Model Index: A FRT18S6A (FRT18S6ABW)
 B FRT18S6A (FRT18S6AQW)
 C FRT18S6A (FRT18S6AWW)

POS. NO	PART NO.		DESCRIPTION
1 #	241682902	A B C	Condenser, dynamic
4 #	218944001	A B C	Drier-filter, R134a System
6 #	241607001	A B C	Harness-wiring, machine compt
6*	241520701	A B C	Harness-wiring, freezer
6* #	240388701	A B C	Wiring Harness, control box
14 #	240356214	A B C	Heater-defrost
15 #	5303918274	A B C	Evaporator Kit
16	5308000110	A B C	Strap-evap/heater, aluminum, (2)
17	241551801	A B C	Trough-drain
20	241551901	A B C	Insulation Block
21 #	5303918202	A B C	Thermostat-defrost, kit
22	241665503	A B C	Base-compressor
22*	218252201	A B C	Screw, #8 truss hd, 10-32CA x 0.500
23	218513300	A B C	Grommet-compr mtg, (4)
25	240491503	A B C	Screw-compressor mtg, 1/4-28 x 1.16, (4)
26	241683601	A B C	Pan-defrost
29 #	5303918325	A B C	Compressor, w/electricals
30	216954201	A B C	Controller, compressor
32	216954300	A B C	Clip, controller
34	240405201	A B C	Grommet, rubber, black, cond tube/wire
41	240433204	A B C	Screw, hex washer head, 8-18 x 5/16
44	5304456288	A B C	Clamp-wiring harness, strain relief, galv steel
45	241500304	A B C	Screw, hex washer head, 8-18AB x 0.625
55	218909913	A B C	Capacitor, run, 220 VAC, 15 microfarad
57	240542601	A B C	Clip-wiring harness
58	218897004	A B C	Screw, hex washer head, 8-32 x 0.375
59	5304430246	A B C	Bracket-cond motor assy
59*	240346701	A B C	Tape-foam seal, shroud
59*	240359403	A B C	Screw-fan shroud, (2)
60	240525402	A B C	Motor, condensor fan
61 #	240524101	A B C	Fan Blade, galv steel, condenser fan
82	5304418225	A B C	Roller, compressor base, rear, (2)
83	5304455655	A B C	Rivet, flat head, 1/4 OD x 1-3/4, roller pin
84	240500801	A B C	Tube-drain, rubber, lower
85	241665801	A B C	Tube-connector, suction
*	240396801	A B C	Clamp, tube/wiring, nylon, black/natural
*	5303918222	A B C	Hot Tube Repair Kit, service
*	5303918263	A B C	Heat Exchanger Kit, suction line

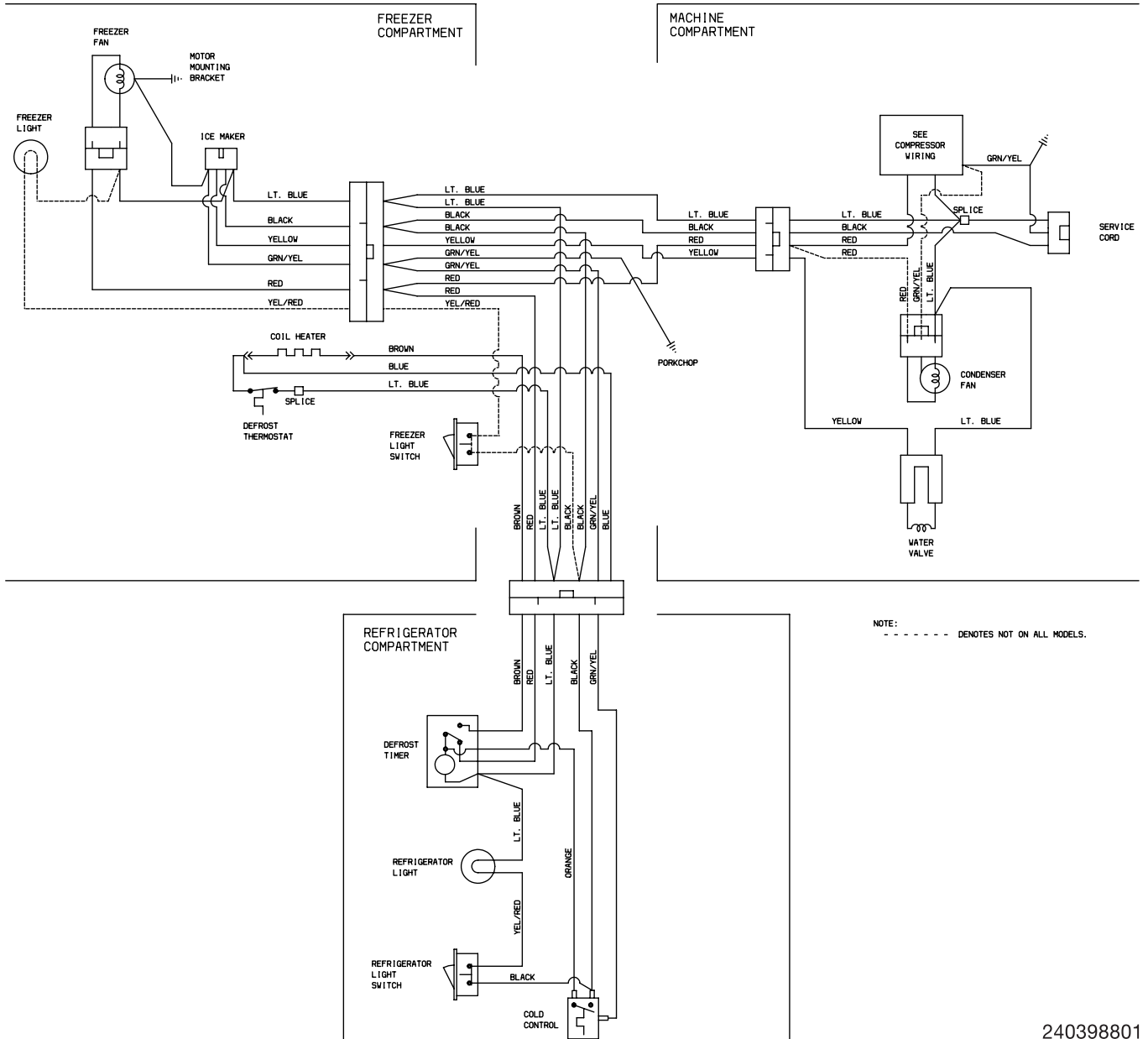
WIRING SCHEMATIC

240398601

NOTE:
- - - - - DENOTES NOT ON ALL MODELS.



WIRING DIAGRAM



240398801