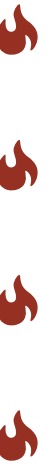


INDUCTION COOKTOP

INSTALLATION INSTRUCTIONS

WOLF®





WOLF[®]



As you follow these instructions, you will notice **WARNING** and **CAUTION** symbols. This blocked information is important for the safe and efficient installation of Wolf equipment. There are two types of potential hazards that may occur during installation.

⚠ CAUTION

signals a situation where minor injury or product damage may occur if you do not follow instructions.

⚠ WARNING

states a hazard that may cause serious injury or death if precautions are not followed.

Another footnote we would like to identify is **IMPORTANT NOTE**: This highlights information that is especially relevant to a problem-free installation.



INSTALLATION REQUIREMENTS

IMPORTANT NOTE: Save these Installation Instructions for the local inspector's use.

- Please read the entire Installation Instructions prior to installation.
- This installation must be completed by a qualified technician.
- **Installer:** please retain these instructions for local inspector's reference, then leave them with the homeowner.
- **Homeowner:** please read and keep these instructions for future reference and be sure to read the entire Use & Care Information prior to use.

IMPORTANT NOTE: This appliance must be installed in accordance with National Electrical Codes, as well as all state, municipal and local codes. The correct voltage, frequency and amperage must be supplied to the appliance from a dedicated, grounded circuit which is protected by a properly sized circuit breaker or time delay fuse. The proper voltage, frequency, and amperage ratings are listed on the model/serial rating plate.

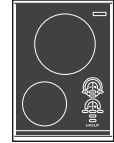
Record the model and serial numbers before installing the cooktop. Both numbers are on the model/serial rating plate, located on the underside of the cooktop.

Model Number **CT15I/S** _____

Serial Number _____

BEFORE YOU START

- Proper installation is your responsibility. Have a qualified technician install this cooktop. You must also assure that electrical installation is adequate and in compliance with all local codes and ordinances.
- Installations and repairs must be performed by a qualified or licensed contractor or electrician qualified or licensed by the state, province, or region where this appliance is being installed.
- Make sure you have everything necessary for correct installation. It is the responsibility of the installer to comply with the installation clearances specified on the model/serial rating plate. The model/serial rating plate can be found on the underside of the cooktop.
- Electrical ground is required, see Electrical Requirements on page 8.
- When installing a cooktop under existing cabinets and the installation does not meet the minimum cabinet clearances, install a Wolf ventilation hood above the cooktop to avoid burn hazards.



Model CT15I/S

⚠ WARNING
This cooktop is intended for indoor use.



SITE PREPARATION

IMPORTANT NOTE: Installation of the Wolf induction cooktop must meet the following location requirements. All dimensions listed are minimum requirements for safe operation.

⚠ WARNING

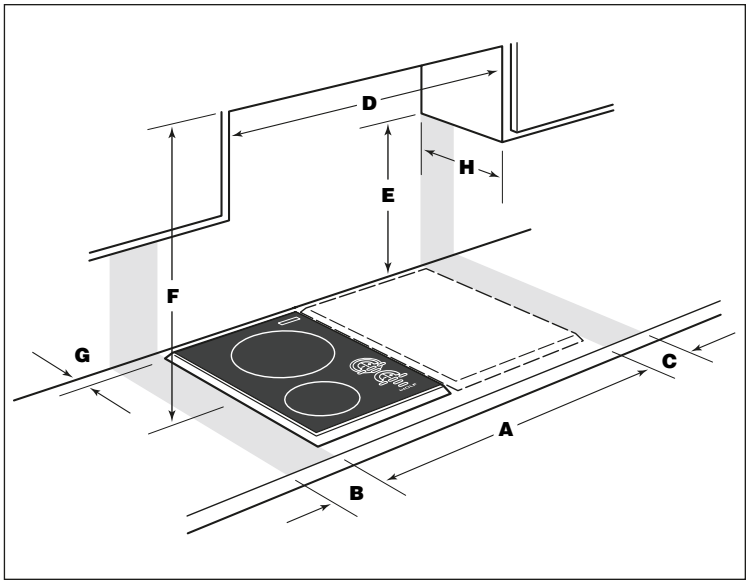
To eliminate the risk of burns or fire by reaching over heated surface units, cabinet storage space located above the surface units should be avoided. If cabinet storage is to be provided, the risk can be reduced by installing a ventilation hood that protects horizontally a minimum of 5" (127) beyond the bottom of the cabinets.

LOCATION IN COUNTERTOP

- A)** Minimum flat countertop surface. Must be equal to or greater than cooktop width.
- B)** Minimum 2" (51) wide clearance from the cooktop side edge to any combustible surface up to 18" (457) above the cooktop (noted by shaded area).
- C)** Minimum 2" (51) wide clearance from the cooktop side edge to any combustible surface up to 18" (457) above the cooktop (noted by shaded area).

OVERHEAD CABINET DIMENSIONS

- D)** Minimum spacing between cabinets directly over cooktop must be greater than or equal to the nominal width of the cooktop unit(s).
- E)** Minimum 18" (457) vertical distance from the countertop surface to the bottom of cabinets adjacent to the cabinet directly above the cooktop unit.
- F)** Minimum 24" (610) clearance between top of cooking surface and bottom of wood or metal cabinet which is protected by not less than 1/4" (6) flame retardant millboard covered with not less than No. 28 MSG sheet steel, .015" (.4) stainless steel, or .024" (.6) aluminum or .02" (.5) copper. Minimum 30" (762) clearance between the top of the cooking surface and the bottom of an unprotected wood or metal cabinet.
- G)** Minimum 0" (0) from rear wall.
- H)** Maximum 13" (330) depth of overhead cabinets.



Minimum clearances for installation

⚠ WARNING

Failure to locate the cooktop unit without the proper clearances will result in a fire hazard.



INSTALLATION SPECIFICATIONS

The illustrations below provide the overall dimensions, finished cut-out dimensions and electrical placement for the Wolf induction cooktop.

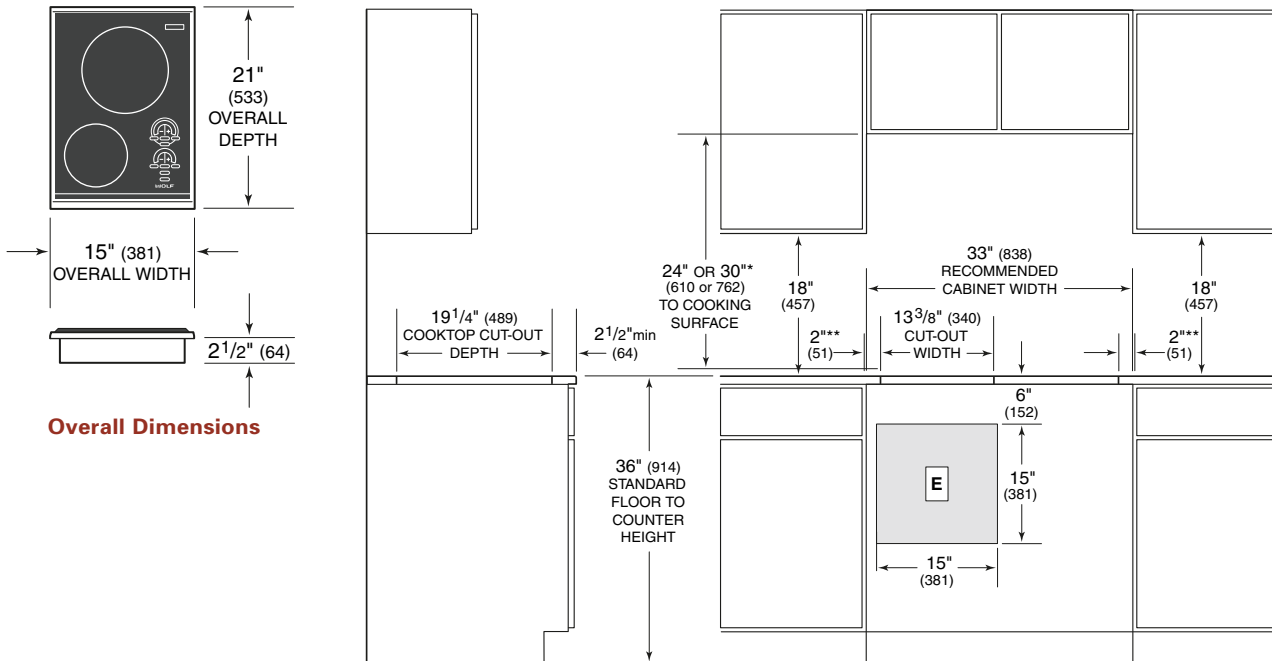
When the cooktop is installed above cabinets, the electrical placement is not critical. A grounded junction box needs to be placed within 4' (1.2 m) of the right rear of the cooktop.

IMPORTANT NOTE: A minimum height clearance of 6" (152) is required. If a shelf is installed below the unit, a 1" (25) gap at the rear of the cabinet shelf is necessary to allow for proper ventilation. Failure to do so could result in decreased performance or product damage.

MODEL CTI5I/S DIMENSIONS

Overall Width	15" (381)
Overall Height	2 1/2" (64)
Overall Depth	21" (533)
Minimum Cabinet Depth	22 3/4" (578)
Minimum Height Clearance	6" (152)
Cut-Out Width*	13 3/8" (340)
Cut-Out Depth	19 1/4" (489)

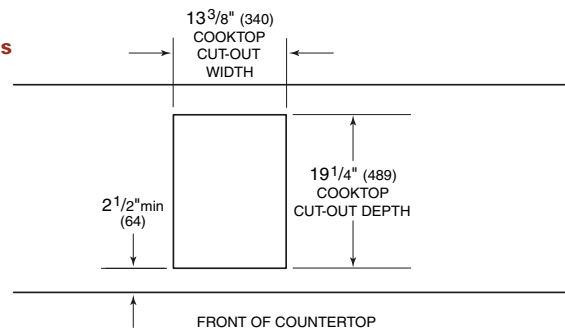
**If the induction cooktop is to be used with any combination of additional cooktops or modules with a filler strip, the cut-out width increases to 14" (356).*



Overall Dimensions

NOTE: Application shown allows for installation of two 15" (381) modules side-by-side.
 *Minimum 24" (610) from protected cabinet or 30" (762) from unprotected cabinet to cooking surface.
 **Minimum clearance from side edge of cooktop cut-out to combustible surface up to 18" (457) above cooking surface.

Installation Specifications and Countertop Cut-Out Dimensions



Dimensions in parentheses are in millimeters unless otherwise specified.



INSTALLATION SPECIFICATIONS

COUNTERTOP CUT-OUT

The induction cooktop is designed to fit a standard 24" (610) deep base cabinet with 25" (635) deep countertop. Before making the cooktop cut-out, verify that the cooktop will clear the side walls of the base cabinet below. There should be at least 5 1/2" (140) clearance between the top countertop surface and any combustible surface directly below the unit. This includes upper edges of drawers located directly below unit.

IMPORTANT NOTE: When multiple cooktops and/or modules are installed side by side, refer to the illustration below for countertop cut-out dimensions.

IMPORTANT NOTE: Plastic or other utensils with low melting temperatures should not be located in drawers directly below unit.

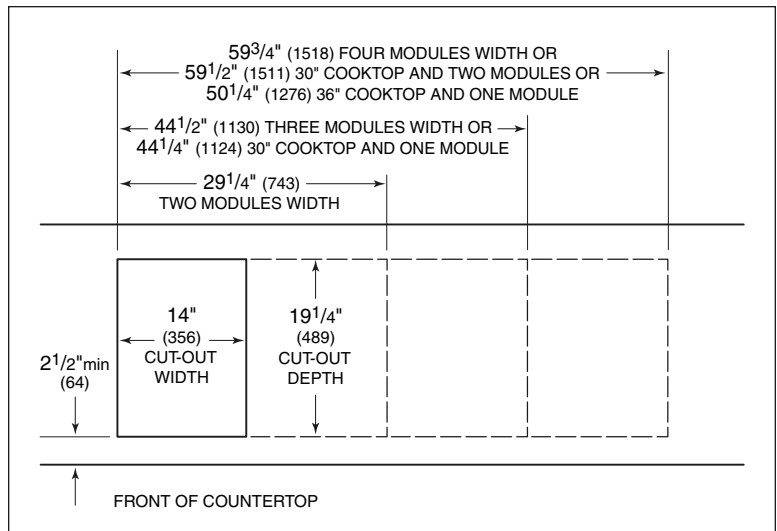
MULTIPLE COOKTOP INSTALLATION

IMPORTANT NOTE: If the induction cooktop is to be used with any combination of additional cooktop units or modules with a filler strip, the cut-out width is calculated by adding the corresponding units' cut-out dimensions plus 1 1/4" (32) for each additional unit.

If multiple modules are to be installed, the cut-out width of the induction cooktop should be increased from 13 3/8" (340) to 14" (356). Refer to the illustration below.

IMPORTANT NOTE: Where multiple units are installed side by side, each unit must have its own separate recommended electrical circuit.

IMPORTANT NOTE: When two or more modules are installed together, an integrated module filler strip (IFILLER/S) is required. If a downdraft ventilation system is also installed, an integrated module support for downdraft ventilation (ISUPPORT) is required. Contact your Wolf dealer for information on these accessory components.



Countertop cut-out dimensions for installation of multiple cooktops



VENTILATION OPTIONS

IMPORTANT NOTE: It is recommended that you operate the Wolf induction cooktop with either a Wolf cooktop hood, downdraft system or Pro ventilation hood. Contact your Wolf dealer for details.

- **Cooktop Wall Hood** – 30" (762) or 36" (914) widths in classic stainless steel.
- **Cooktop Island Hood** – 42" (1067) width in classic stainless steel.
- **Downdraft Ventilation System** – 30" (762) or 36" (914) widths, with top cover and control panel in classic, platinum or carbon stainless steel finishes (adequate counter-top depth is required).
- **Pro Wall Hood** – 22" (559), 24" (610) or 27" (686) depths and 30" (762) to 66" (1676) widths in classic stainless steel.
- **Pro Island Hood** – 36" (914) to 66" (1676) widths in classic stainless steel.
- **Pro Hood Liner** – available in widths to accommodate 30" (762) to 60" (1524) hood shells.

All hoods have welded seams, sealed halogen lighting and removable dishwasher safe stainless steel filters.

Blower requirements may vary due to the length of ducting and number of angles. The basic recommendations is 100–150 net cfm's per square foot of cooking area. Always consult your HVAC professional for more concise blower requirements.

IMPORTANT NOTE: When installing a ventilation hood, refer to the specific requirements of the hood for the minimum dimension to cooking surface.



ELECTRICAL REQUIREMENTS

⚠ WARNING

Verify that power is disconnected from the junction box before proceeding.

- **Required Power Supply**
240 V AC / 18 amp / 60 Hz – 20 amp service
- **Maximum Connected Load**
3.6 Kw at 240 V AC
- **Operating Voltage Range**
207 V AC – 250 V AC

The Wolf induction cooktop requires a separate, grounded 3-wire service with its own circuit breaker. Locate electrical within the shaded area shown in the Installation Specifications illustration on page 5.

This appliance must be installed in accordance with National Electrical Codes, as well as all state, municipal and local codes. The correct voltage, frequency and amperage must be supplied to the appliance from a dedicated, grounded circuit which is protected by a properly sized circuit breaker or time delay fuse. The proper voltage, frequency and amperage ratings are listed on the product model/serial rating plate, located on the underside of the cooktop.

The cooktop is provided with a 4' (1.2 m) conduit consisting of two insulated hot lead conductors (copper) and one insulated ground conductor (copper).

For Electrical Installation – attach the conductors to the residence wiring in accordance with National Electrical Codes and all state, provincial, municipal and local codes.

⚠ WARNING

The complete appliance must be properly grounded at all times when electrical power is applied.

Do not ground the appliance with the neutral (white) house supply wire. A separate ground wire must be utilized.

If aluminum house supply wiring is utilized, splice the appliance copper wire to the aluminum house wiring using special connectors designed and agency certified for joining copper and aluminum. Follow the connector manufacturer's recommended procedure carefully. Improper connection can result in a fire hazard!



COOKTOP INSTALLATION

LOCATING UNIT IN COUNTERTOP

Attach the foam strip to the underside of the cooktop frame. Refer to the illustration below.

Gently lower the unit into the cut-out area in the countertop and center. Check that the front edge of cooktop is parallel to the front edge of the countertop. Check that all required clearances are met.

Attach the brackets to the bottom of the unit, as shown in the illustration below. Install the clamping screws into the bracket and tighten until screws contact the underside of the counter top. **Do not overtighten screws.**

IMPORTANT NOTE: Do not use caulk or silicone to seal the unit to the countertop. The unit must be readily removable for service.

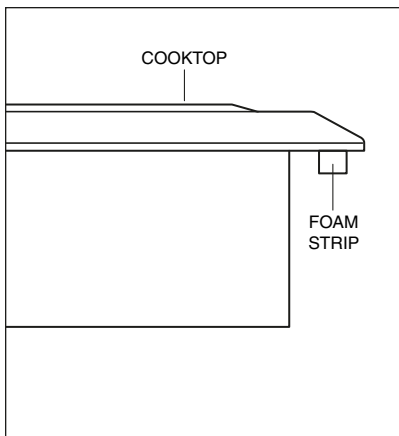
BEFORE OPERATING THE COOKTOP

Clean the glass surface carefully using Cooktop Cleaning Crème provided with the product. Remove all cleaner residues.

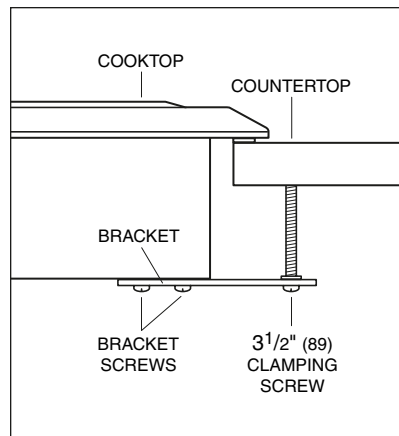
Read the entire Wolf Induction Cooktop Use & Care Information included with the cooktop. Important safety, service and warranty information is contained within the book.

⚠ WARNING

If the cooktop glass is broken, turn off power to the unit. Do not operate until the glass has been replaced by a Wolf Factory Authorized Service Center technician.



Foam strip



Installation brackets



CLEANING AND MAINTENANCE

TO REMOVE THE COOKTOP

IMPORTANT NOTE: This procedure should only be performed by a Wolf Factory Authorized Service Center technician.

If removing the cooktop is necessary for cleaning or maintenance, disconnect the electric supply. Remove the mounting brackets on the right and left side of the unit. After disconnecting the electric supply, finish removing the cooktop for cleaning and servicing. Reinstall in the reverse order.

TROUBLESHOOTING

IF COOKTOP DOES NOT OPERATE

IMPORTANT NOTE: If the cooktop does not operate properly, follow these troubleshooting steps:

- Verify that power is being supplied to the cooktop.
- Check electrical connections to ensure that the installation has been completed correctly.
- Follow troubleshooting procedures as described in the Wolf Induction Cooktop Use & Care Information.
- If the cooktop still does not work, contact a Wolf Factory Authorized Service Center. Do not attempt to repair the cooktop yourself. Wolf is not responsible for service required to correct a faulty installation.

⚠ WARNING

This product must be repaired only by a Wolf Factory Authorized Service Center technician. The cooktop must be disconnected from power prior to service.



IF YOU NEED SERVICE

- Maintain the quality built into your induction cooktop by calling a Wolf Factory Authorized Service Center.
- To obtain the name and number of a Wolf Factory Authorized Service Center, call Wolf Customer Service at **800-332-9513** or check our website, **wolfappliance.com**.
- When calling for service, you will need the cooktop model and serial numbers. Both numbers are listed on the model/serial rating plate, located on the underside of the cooktop.

CONTACT INFORMATION

Wolf Customer Service:
800-332-9513

Website:
wolfappliance.com

E-mail Address:
customerservice@wolfappliance.com

The information and images are the copyright property of Wolf Appliance Company, LLC, an affiliate of Sub-Zero Freezer Company, Inc. Neither this book nor any information or images contained herein may be copied or used in whole or in part without the express written permission of Wolf Appliance Company, LLC, an affiliate of Sub-Zero Freezer Company, Inc.

©Wolf Appliance Company, LLC all rights reserved.



WOLF APPLIANCE COMPANY, LLC P. O. BOX 44848 MADISON, WI 53744 800-332-9513 WOLFAPPLIANCE.COM

WOLF[®]