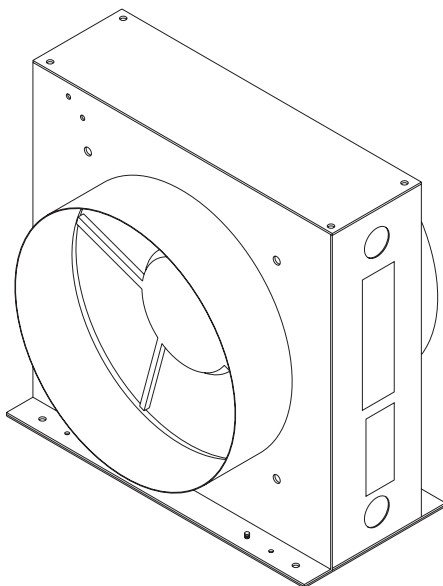
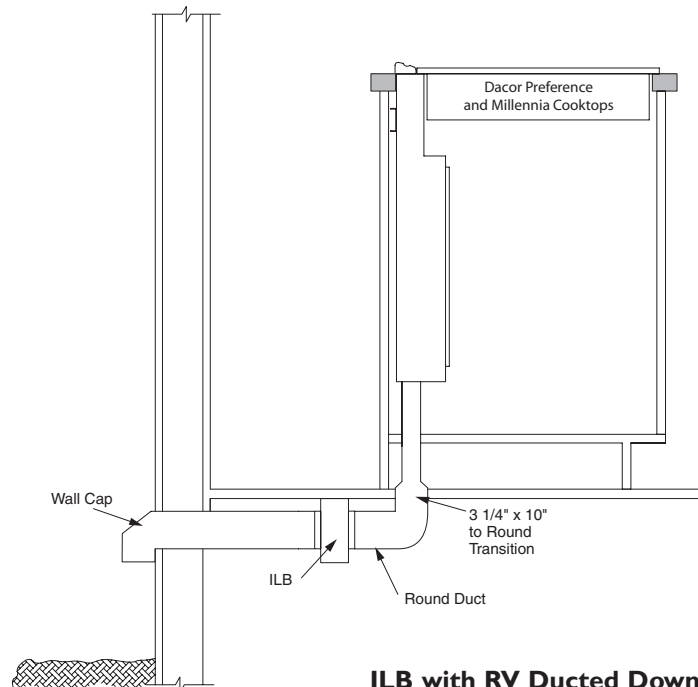


ILB with RV Ducted Down, Attic Installation Cutaway Side View



Isometric



ILB with RV Ducted Down, Subfloor Installation Cutaway Side View



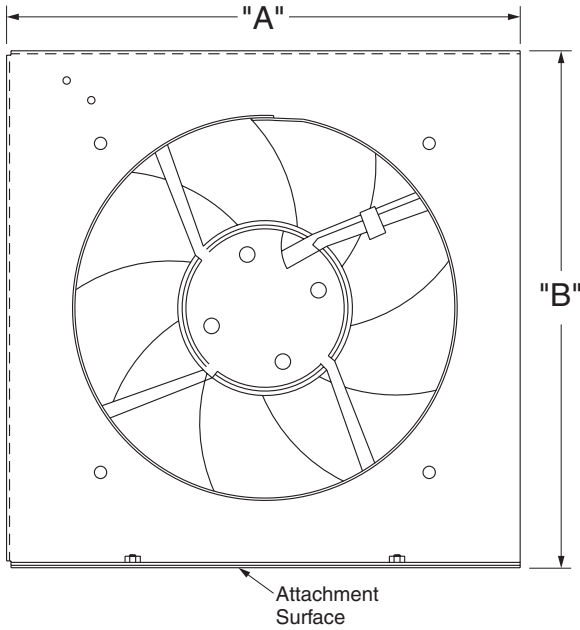
The life of the kitchen™

Inline Blower Specifications

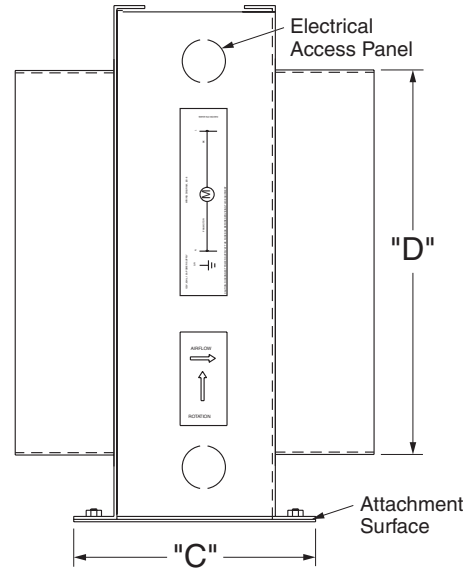
ILB8, ILB10

PLANNING GUIDE

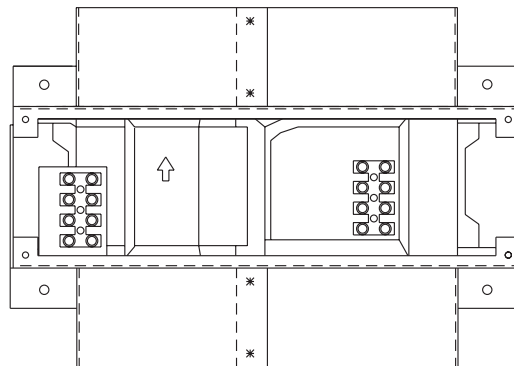
9.6



**Overall Dimensions
Front View**



**Overall Dimensions
Side View**



Top View

SPECIFICATIONS	MEASUREMENTS
Overall Blower Chassis Width "A"	ILB8 - 10 5/8" (270mm) ILB10 - 12 5/8" (321mm)
Overall Blower Chassis Height "B"	ILB8 - 10 1/2" (267mm) ILB10 - 12 1/2" (318mm)
Overall Blower Chassis Length "C"	5" (127mm)
Duct Diameter "D"	ILB8 - 8" (203mm) ILB10 - 10" (254mm)
Electrical Supply Requirements	Refer to Ventilator Specifications
Maximum Duct Length	Maximum 60 Equivalent Straight Feet
Total Connected Load	ILB8 - 0.1kW (1A) ILB10 - 0.2kW (2A)
Blower Rating	ILB8 - 600 CFM ILB10 - 1100 CFM
Approximate Shipping Weight	ILB8 - 15 pounds ILB10 - 18 pounds



Specifications are subject to change without notice. See installation instructions for additional details.

Dacor®
www.dacor.com
Corporate Phone: 800-793-0093
Planning Faxback: 800-793-0093 ext. 3806