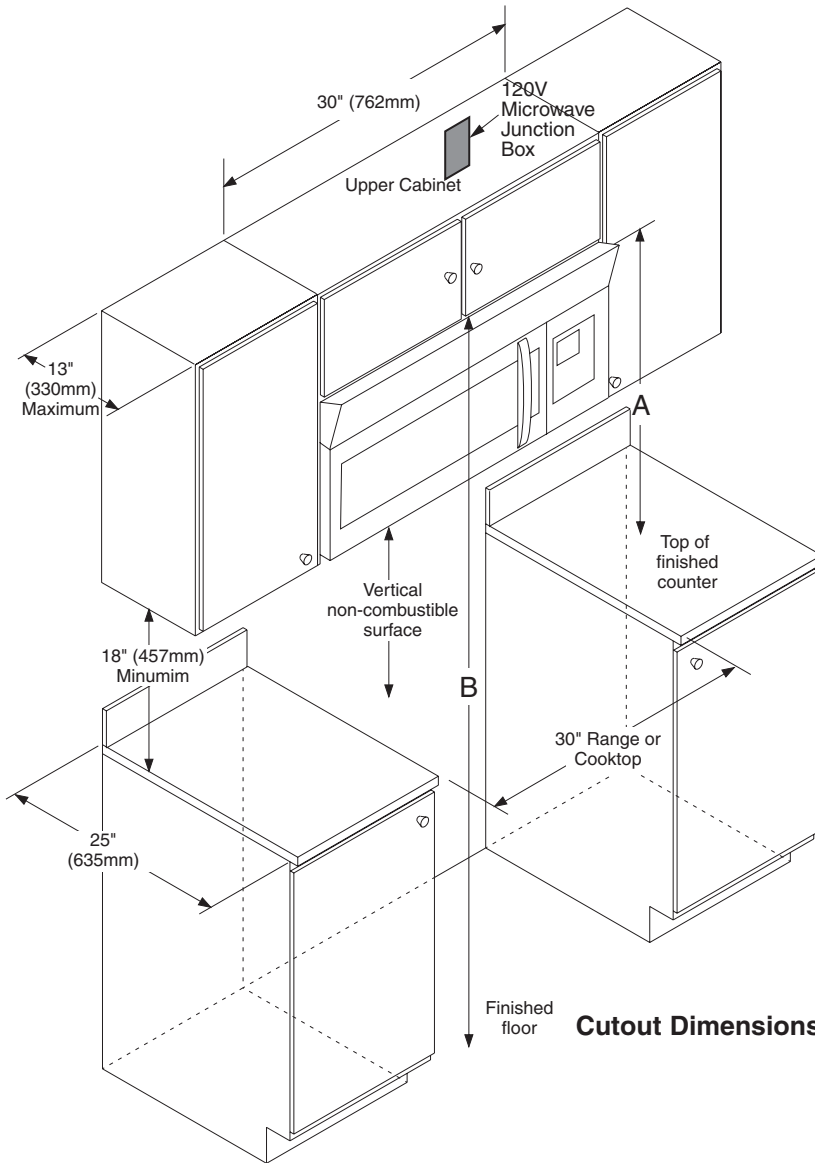
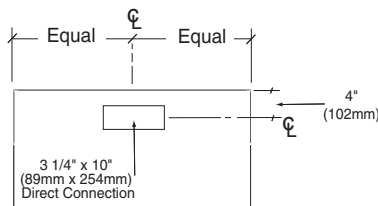


## Over the Range Microwave Oven Specifications



**Cutout Dimensions**

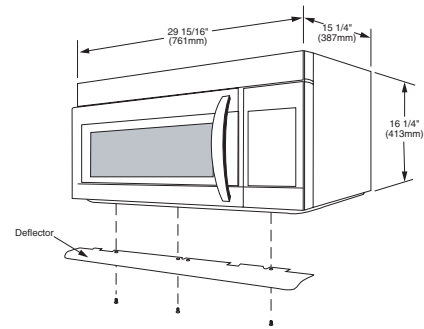


**Microwave Top View Exhaust Location**

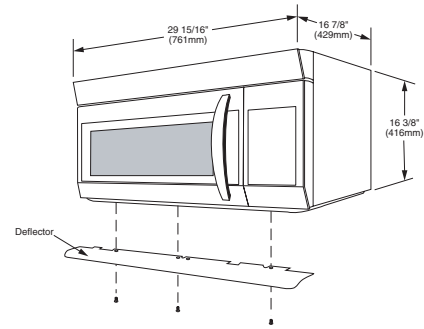
**A.** From the top of the PMOR30 to the top of finished counter.

- 34" (864mm) minimum **with** deflector for a maximum cooktop surface BTU rating of 44,000 BTU's.
- 36" (914mm) minimum **without** deflector for a maximum cooktop surface BTU rating of 44,000 BTU's.
- 36" (914mm) minimum **with** deflector for a maximum cooktop surface BTU rating of 60,000 BTU's.

**NOTE:** 30" electric cooktops or ranges can be installed at 34" (864mm) **with** deflector or 36" (914mm) **without** deflector for a maximum cooktop surface rating of 10,000 watts.



**PCOR30 Overall Dimensions**



**PMOR30 Overall Dimensions**

Specifications	Measurements
Electrical Supply Requirements	120VAC, 60Hz, 15A Dedicated Circuit
Total Connected Load	PMOR30, 1.45kW, (12A), PCOR30 1.56kW (13A)
Approximate Shipping Weight	PMOR 60lbs, PCOR 71 lbs

Specifications are subject to change without notice.  
See installation instructions for additional details.

**Dacor®**  
www.dacor.com  
Corporate Phone: 800-793-0093  
Planning Faxback: 800-793-0093 ext. 3806